

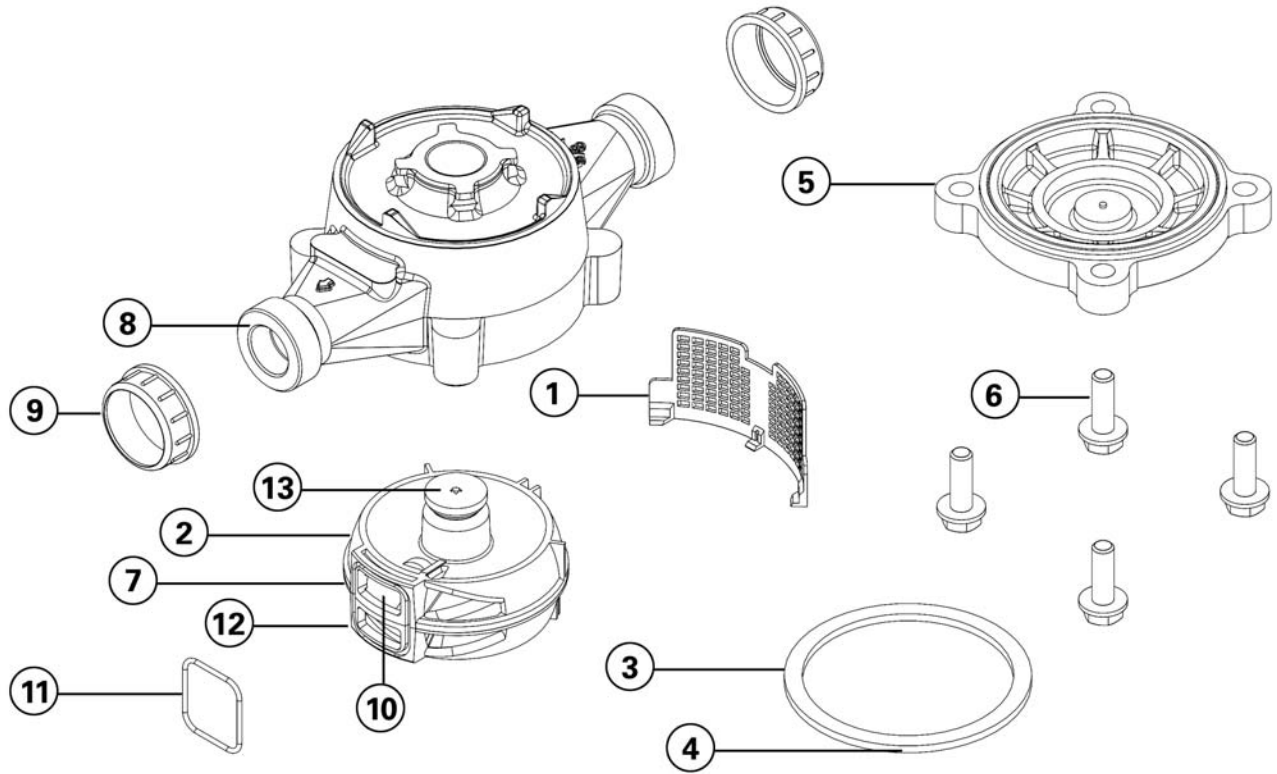


ARB® UTILITY MANAGEMENT SYSTEMS™ WATER | ELECTRIC | GAS

## T-10 Parts List

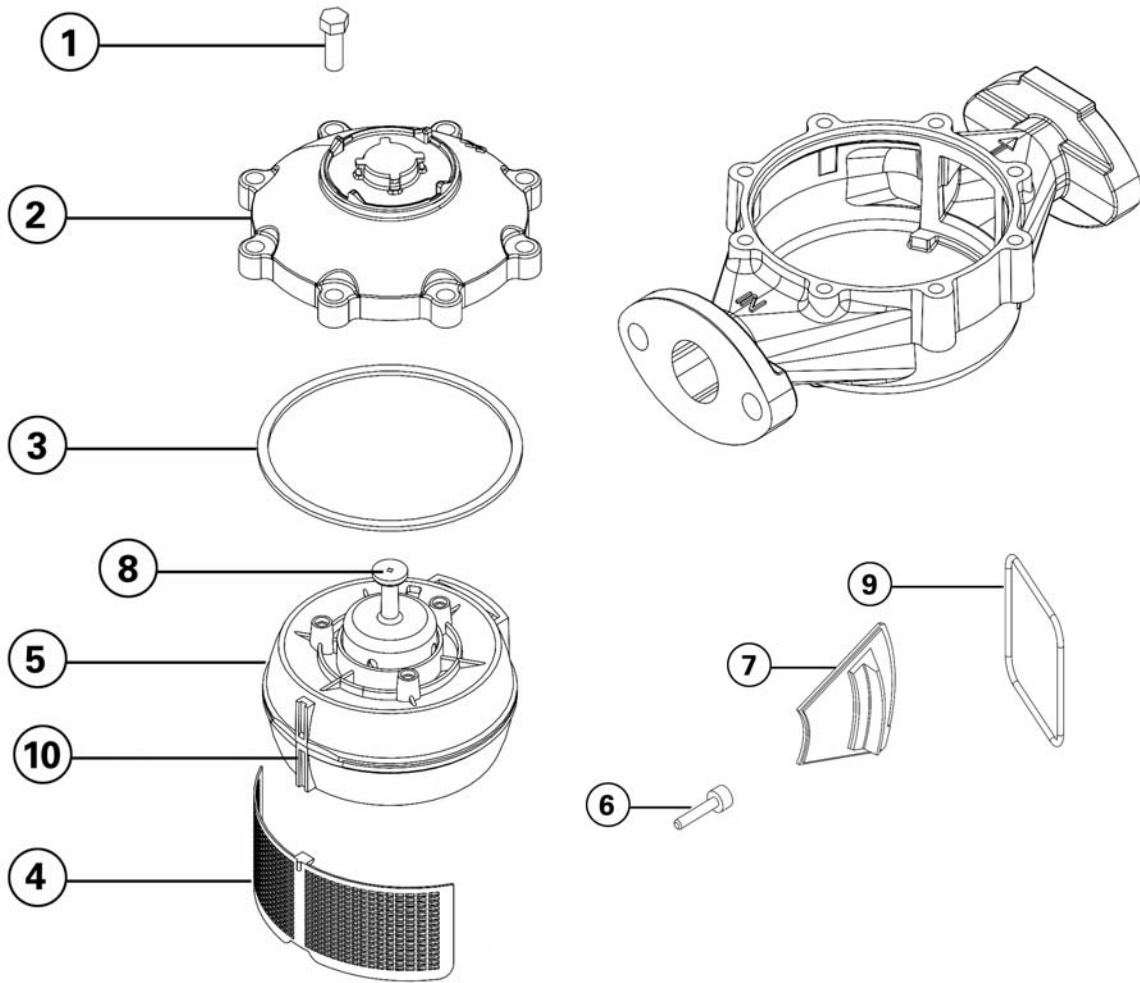


T-10 PARTS LIST



ITEM NO.	DESCRIPTION	PART NUMBER		
		5/8", 5/8" X 3/4"	3/4"	1"
	Register			
1	Strainer	9399-005	9831-001	9831-002
2	Chamber Complete	9400-600	9826-200	9826-300
3	Gasket, Bottom cap	8340-028	8340-034	8340-038
4	Liner, Bottom Cap*	9398-001	9832-001	9841-001
	Bottom Cap, Plastic	9397-501	-	-
5	Bronze	9397-023	9833-024	9842-024
	Cast Iron	9397-010	9833-010	9842-010
	Ductile Iron (Special Order)	9397-020	9833-003	9842-101
6	Bolt and Washer			
	SST-302 (w/washer)	8353-106	8353-106	8353-106
	SST-316 (w/washer)	8353-105	8353-105	8353-105
7	Thrust Roller	81-500	81-500	190-500
8	Spud Plug	1787-101	1787-101	1787-102
9	Spud Cap Plastic	1788-008	1789-008	1790-007
10	Diaphragm	9391-001	9829-001	9840-001
11	"O" Ring	9386-001	9386-002	9386-003
12	Drive Shaft	9393-001	9216-004	9233-002
13	Magnet	6724-003	6724-003	6724-003
	Control Block Assembly	N/A	N/A	N/A

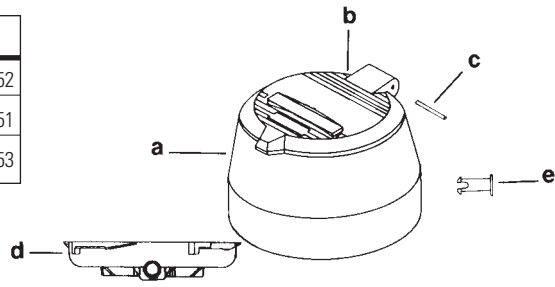
\* Not required with SP or Bronze bottom caps.



ITEM NO.	DESCRIPTION	PART NUMBER	
		SP Chamber	
		1-1/2"	2"
1	Bolts	8307-051	8307-051
2	Cover, Maincase	9082-002	9080-002
3	Gasket, Maincase	9083-001	9083-002
4	Strainer	9084-001	9084-002
5	Chamber Complete	9098-600	9098-610
6	Thrust Roller	9850-100	9850-100
7	Diaphragm	9086-101	9086-102
8	Control Block Assembly	9097-000	9097-010
9	"O" Ring	8316-607	8316-606
10	Drive Shaft	9096-001	9096-002
11	Magnet	6724-003	6724-003

**ROLL-SEALED REGISTER ASSEMBLIES**

REGISTRATION	5/8"	3/4"	1"	1-1/2"	2"
Cu. Ft.	9107-012	9107-022	9107-032	9107-042	9107-052
Gal.	9107-011	9107-021	9107-031	9107-041	9107-051
M <sup>3</sup>	9107-013	9107-023	9107-033	9107-043	9107-053



**REGISTER BOX PARTS**

ITEM NO.	GOLD DESCRIPTION	BRONZE	PLASTIC	COLOR
	Register Box Assembled	9131-100	9131-000	
a	Register Box (Brz Box & Lid only)	9133-202	9133-001	
b	Register Cover	9132-202	9132-001	
c	Hinge Pin, Register	8313-402	8350-007	
d	Retainer Ring	9105-001	9105-001	
	Seal Pin, D/R Register, ProRead Register	9106-002	9106-001	9106-002
e	Seal Pin, High Profile Reg Box		9309-501	
	Screw, Pulsar Register	8460-011		
	Seal Pin, Old Direct Read	9309-501		

**REGISTER ASSEMBLIES**

SIZE	REGISTRATION	DIRECT READ	ARB*V 4-WHEEL ENCODER	ARB*V 6-WHEEL ENCODER	PROREAD* 4-WHEEL ENCODER	PROREAD* 6-WHEEL ENCODER
5/8"	Cu. Ft.	R82F11	R52F11	R52F12	R62F11	R62F12
	Gal.	R82G11	R52G11	R52G12	R62G11	R62G12
	M <sup>3</sup>	R82M11	R52M11	R52M12	R62M11	R62M12
3/4"	Cu. Ft.	R82F21	R52F21	R52F22	R62F21	R62F22
	Gal.	R82G21	R52G21	R52G22	R62G21	R62G22
	M <sup>3</sup>	R82M21	R52M21	R52M22	R62M21	R62M22
1"	Cu. Ft.	R82F31	R52F31	R52F32	R62F31	R62F32
	Gal.	R82G31	R52G31	R52G32	R62G31	R62G32
	M <sup>3</sup>	R82M31	R52M31	R52M32	R62M31	R62M32
1-1/2"	Cu. Ft.	R82G42	R52F41	R52F42	R62F41	R62F42
	Gal.	R82G42	R52G41	R52G42	R62G41	R62G42
	M <sup>3</sup>	R82M42	R52M41	R52M42	R62M41	R62M42
2"	Cu. Ft.	R82F52	R52F51	R52F52	R62F51	R62F52
	Gal.	R82G52	R52G51	R52G52	R62G51	R62G52
	M <sup>3</sup>	R82M52	R52M51	R52M52	R62M51	R62M52

\* Registers do not include ARB\*V remote receptacles.  
When ordering 1" registers for 10 Cu.Ft. registration, add SA68.

Neptune engages in ongoing research and development to improve and enhance its products. Therefore, Neptune reserves the right to change product or system specifications without notice.

**Neptune Technology Group Inc.**  
1600 Alabama Highway 229  
Tallahassee, AL 36078  
USA  
Tel: (800) 645-1892  
Fax: (334) 283-7299

**Neptune Technology Group (Canada) Ltd.**  
7275 West Credit Avenue  
Mississauga, Ontario  
L5N 5M9  
Canada  
Tel: (905) 858-4211  
Fax: (905) 858-0428

**Neptune Technology Group Inc.**  
Ejército Nacional No. 418  
Piso 12, Desp. 1201-1202  
Col. Chapultepec Morales  
Delegación Miguel Hidalgo  
11570 México, Distrito Federal  
Tel: (525) 55203 5294 / (525) 55203 5708  
Fax: (525) 55203 6503

