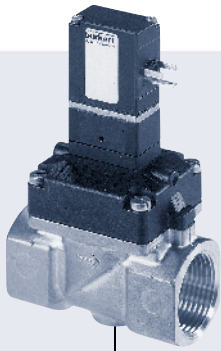
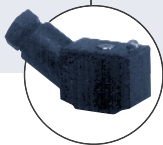


2/2-way Solenoid Valve with servo diaphragm

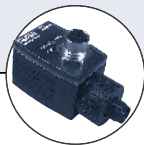


Type 6212 can be combined with...



Type 2506

Cable plug






Type 2510

ASI cable plug

2/2-way solenoid valve with servo-diaphragm and 3-way pilot control with media separation. Supplied in the circuit functions NC and NO.

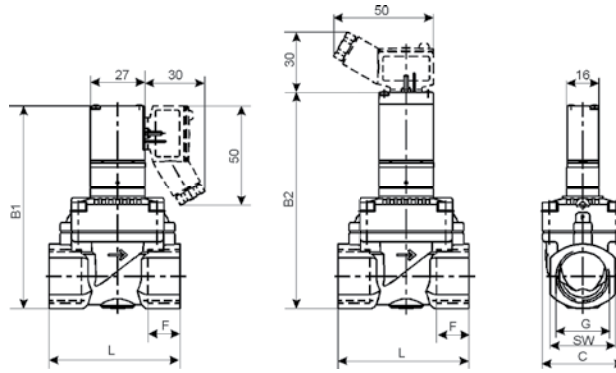
As an option, the valve can be delivered with an integrated flow switch and the accompanying electronics integrated into the cable plug.

- Media separation
- Waterhammer-free, low noise
- Low power consumption
- Option with flow switch
- Stainless steel body for partially aggressive media
- NC and NO circuit function
- Approval:   

| Technical data | Valve without flow switch |
|---|---|
| Orifice | 3/8" - 7/16" (DN 10 - 20 mm) |
| Body material | Brass or stainless steel 1.4404 |
| Body cover and internal part | PPE/PA (Noryl) Stainless steel 1.4404 |
| Pilot flange | PPS |
| Seal material | NBR and FKM (EPDM on request) |
| Media or flow switch | |
| NBR | Neutral media, such as compressed air, water, hydraulic oil |
| EPDM | Oil and fat-free media |
| FKM | Per-solutions, oil, fat, diluted acids |
| Media temperature without flow switch | |
| NBR | +32 to +122 °F (0 to +50 °C) |
| EPDM | +14 to +122 °F (-10 to +50 °C) |
| FKM | +32 to +122 °F (0 to +50 °C) |
| Ambient temperature | Up to +131 °F (+55 °C) |
| Operating voltage/ Power consumption | 24 V/DC (3.4 W), for 24/AC, use cable plug with rectifier; (see data sheet for type 2506) |
| [W] | 110-120 V/UC (4 W), 230-240 V/UC (4 W) |
| Voltage tolerance | ±10 % |
| Duty cycle | 100 % continuous rating |
| Electrical connection | |
| Tag connector acc. DIN 43650 C | Tag connector sideways at 24 V/DC Tag connector above at 110/230 V/UC |
| Cable plug | Types 2506 and 2510 (see separate data sheet) |
| Protection class | IP 65 with cable plug |
| Installation | As required, preferably with actuator upright |
| Option with flow switch | |
| Seal material | NBR |
| Media | Water +50 ° to +140 °F (+10 to +60 °C) |

Solenoid valve dimensions

| Dimensions (mm) | | | | | | | |
|--------------------|---------|-------|-----------------|----|----|-----|----|
| Tag conn. sideways | | | Tag conn. above | | | | |
| DN | NPT | B1 | B2 | C | F | L | SW |
| 10 | NPT 3/8 | 94.5 | 101.0 | 32 | 12 | 55 | 27 |
| 10 | NPT 1/2 | 94.5 | 101.0 | 32 | 14 | 55 | 27 |
| 13 | NPT 1/2 | 100.0 | 106.5 | 40 | 14 | 65 | 32 |
| 13 | NPT 3/4 | 100.0 | 106.5 | 40 | 16 | 65 | 32 |
| 20 | NPT 3/4 | 114.5 | 121.0 | 60 | 16 | 100 | 41 |
| 20 | NPT 1 | 114.5 | 121.0 | 60 | 18 | 100 | 41 |



Ordering chart for valves (other versions on request)

Valves with brass body, with or without cable plug (please see footnote and/or Accessories)

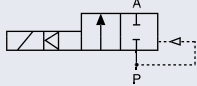
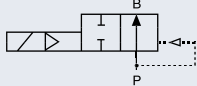
| Circuit function | Orifice [mm] | Port connection [NPT] | Cv value water GPM] | Pressure range [psi] | Voltage/ frequency [V/Hz] | Item no. Cover PPE/PA Seal NBR |
|-------------------------------|--------------|-----------------------|---------------------|----------------------|---------------------------|--------------------------------|
| A 2/2-way valve NC | 10 | NPT 3/8 | 2.2 | 2.8 - 145 | 024/DC | 458 003 |
| | | | | | 110-120/UC | 458 004 |
| | | | | | 230-240/UC | 458 005 |
| | | NPT 1/2 | 2.2 | 2.8 - 145 | 024/DC | 458 015 |
| | | | | | 110-120/UC | 458 016 |
| | | | | | 230-240/UC | 458 017 |
| | 13 | NPT 1/2 | 4.2 | 2.8 - 145 | 024/DC | 458 027 |
| | | | | | 110-120/UC | 458 028 |
| | | | | | 230-240/UC | 458 029 |
| | | NPT3/4 | 4.2 | 2.8 - 145 | 024/DC | 458 039 |
| | | | | | 110-120/UC | 458 040 |
| | | | | | 230-240/UC | 458 041 |
| 20 | NPT3/4 | 9.7 | 2.8 - 145 | 024/DC | 458 051 | |
| | | | | 110-120/UC | 458 052 | |
| | | | | 230-240/UC | 458 053 | |
| | NPT 1 | 9.7 | 2.8 - 145 | 024/DC | 458 063 | |
| | | | | 110-120/UC | 458 064 | |
| | | | | 230-240/UC | 458 065 | |
| B 2/2-way valve NO | 10 | NPT 3/8 | 2.2 | 2.8 - 145 | 024/DC | 458 157 |
| | | | | | 110-120/UC | 458 158 |
| | | | | | 230-240/UC | 458 159 |
| | | NPT 1/2 | 2.2 | 2.8 - 145 | 024/DC | 458 167 |
| | | | | | 110-120/UC | 458 168 |
| | | | | | 230-240/UC | 458 169 |
| | 13 | NPT 1/2 | 4.2 | 2.8 - 145 | 024/DC | 458 177 |
| | | | | | 110-120/UC | 458 178 |
| | | | | | 230-240/UC | 458 179 |
| | | NPT 3/4 | 4.2 | 2.8 - 145 | 024/DC | 458 187 |
| | | | | | 110-120/UC | 458 188 |
| | | | | | 230-240/UC | 458 189 |
| | 20 | NPT 3/4 | 9.7 | 2.8 - 145 | 024/DC | 458 197 |
| | | | | | 110-120/UC | 458 198 |
| | | | | | 230-240/UC | 458 199 |
| | | NPT 1 | 9.7 | 2.8 - 145 | 024/DC | 458 207 |
| | | | | | 110-120/UC | 458 208 |
| | | | | | 230-240/UC | 458 209 |

The 110-120 and/or 230-240 V coils each have an integrated rectifier and a varistor. They are therefore suitable for use with both direct and alternating voltage. For this version, please use the cable plug without electronics only.

Solenoid valve ordering chart

Ordering chart for valves (other versions on request)

Valves with stainless steel body, without cable plug

| Circuit function | Orifice [mm] | Port connection [NPT] | Cv value water [GPM] | Pressure range [psir] | Voltage/frequency [V/Hz] | Item no. Cover stainless steel Seal FKM |
|--|--------------|-----------------------|----------------------|-----------------------|--------------------------|---|
| A 2/2-way valve NC  | 10 | NPT 3/8 | 2.2 | 2.3 - 145 | 024/DC | 458 133 |
| | | | | | 110-120/UC | 458 134 |
| | | | | | 230-240/UC | 458 135 |
| | | NPT 1/2 | 2.2 | 2.3 - 145 | 024/DC | 458 137 |
| | | | | | 110-120/UC | 458 138 |
| | | | | | 230-240/UC | 458 139 |
| | 13 | NPT 1/2 | 4.2 | 2.3 - 145 | 024/DC | 458 141 |
| | | | | | 110-120/UC | 458 142 |
| | | | | | 230-240/UC | 458 143 |
| | | NPT 3/4 | 4.2 | 2.3 - 145 | 024/DC | 458 145 |
| | | | | | 110-120/UC | 458 146 |
| | | | | | 230-240/UC | 458 147 |
| | 20 | NPT 3/4 | 9.7 | 2.3 - 145 | 024/DC | 458 149 |
| | | | | | 110-120/UC | 458 150 |
| | | | | | 230-240/UC | 458 151 |
| NPT 1 | | 9.7 | 2.3 - 145 | 024/DC | 458 153 | |
| | | | | 110-120/UC | 458 154 | |
| | | | | 230-240/UC | 458 155 | |
| B 2/2-way valve NO  | 10 | NPT 3/8 | 2.2 | 2.3 - 145 | 024/DC | 458 217 |
| | | | | | 110-120/UC | 458 218 |
| | | | | | 230-240/UC | 458 219 |
| | | NPT 1/2 | 2.2 | 2.3 - 145 | 024/DC | 458 221 |
| | | | | | 110-120/UC | 458 222 |
| | | | | | 230-240/UC | 458 223 |
| | 13 | NPT 1/2 | 4.2 | 2.3 - 145 | 024/DC | 458 225 |
| | | | | | 110-120/UC | 458 226 |
| | | | | | 230-240/UC | 458 227 |
| | | NPT 3/4 | 4.2 | 2.3 - 145 | 024/DC | 458 229 |
| | | | | | 110-120/UC | 458 230 |
| | | | | | 230-240/UC | 458 231 |
| | 20 | NPT 3/4 | 9.7 | 2.3 - 145 | 024/DC | 458 233 |
| | | | | | 110-120/UC | 458 234 |
| | | | | | 230-240/UC | 458 235 |
| NPT 1 | | 9.7 | 2.3 - 145 | 024/DC | 458 237 | |
| | | | | 110-120/UC | 458 238 | |
| | | | | 230-240/UC | 458 239 | |

The 110-120 and/or 230-240 V coils each have an integrated rectifier and a varistor. They are therefore suitable for use with both direct and alternating voltage. For this version, please use the cable plug without electronics only.

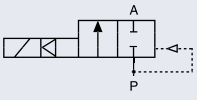
Solenoid valve technical data

| Technical data | Valve with integrated flow switch |
|--------------------------------|---|
| Orifice | 3/8" - 7/16" (DN 10 - 20 mm) |
| Electronics cable plug | (supplied as standard) |
| Body material | PA |
| Operating voltage Ue | 24V/DC (acc. VDE 0160) |
| Residual ripple | Max. 10% |
| Ambient temperature | +32 ° to +122 °F (0 to +50 °C) |
| Electrical connection | PG 16, Ø 6 - 7 mm line Screw terminals for wires up to 0.75 mm |
| Protection class, body | IP 65 |
| Inlet port | Low protective voltage 24 V DC |
| Outlet port | Binary output with LED display |
| Flow-rate = High | 3 V up to Ue 1 V |
| Without flow-rate = Low | ≤ 1 V |
| Output current | Max. 50 mA |
| Response time | ≤ 1 sec |
| Power consumption | Max. 0.4 W |
| Area of application | Water |
| Media temperature | +50 to +140 °F (+10 to +60 °C) |
| Switching point | DN 10 8 l/min DN 13 18 l/min DN 20 30 l/min |
| Switch point adjustment | With potentiometer in cable plug |
| LED display | In cable plug cover |
| LED display "off" | No flow-rate (medium stationary) |
| LED display "on" | Flow-rate (medium flowing) |

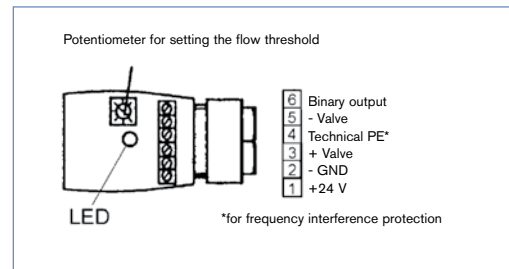
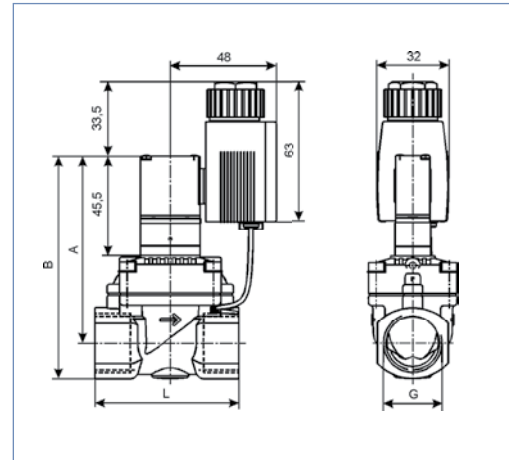
| Dimensions [mm] | | | | |
|-----------------|---------|------|-------|-----|
| DN | NPT | A | B | L |
| 10 | NPT 3/8 | 80.5 | 94.5 | 55 |
| 10 | NPT 1/2 | 80.5 | 94.5 | 55 |
| 13 | NPT 1/2 | 85.0 | 101.0 | 65 |
| 13 | NPT 3/4 | 85.0 | 101.0 | 65 |
| 20 | NPT 3/4 | 94.0 | 114.5 | 100 |
| 20 | NPT 1 | 94.0 | 114.5 | 100 |

Ordering chart for valves with integrated flow switch (other versions on request)

Valves with brass body, with or without cable plug (please see footnote and/or Accessories)

| Circuit function | Orifice [mm] | Port connection [NPT] | Cv value water [GPM] | Pressure range [psi] | Voltage/ frequency [V/Hz] | Item no. Brass body Cover PPE/PA Seal NBR |
|---|--------------|-----------------------|----------------------|----------------------|---------------------------|---|
|  <p>A 2/2-way valve NC</p> | 10 | NPT 3/8 | 2.2 | 2.8 - 145 | 024/DC | 458 012 |
| | | NPT 1/2 | 2.2 | 2.8 - 145 | 024/DC | 458 024 |
| | 13 | NPT 1/2 | 4.2 | 2.8 - 145 | 024/DC | 458 036 |
| | | NPT 3/4 | 4.2 | 2.8 - 145 | 024/DC | 458 048 |
| | 20 | NPT 3/4 | 9.7 | 2.8 - 145 | 024/DC | 458 060 |
| | | NPT 1 | 9.7 | 2.8 - 145 | 024/DC | 458 072 |

Valves with circuit function B on request



Electrical connection
type 6212 with flow switch
 (cable plug with integrated electronic)

In case of special application conditions, please consult for advice.

We reserve the right to make technical changes without notice.