

UNIBATCH

The easy way to manage your liquid assets.

UniBatch offers a highly accurate and economical liquid batching system that is unprecedented for its command over liquid measurement and batch volume to within 2% accuracy.

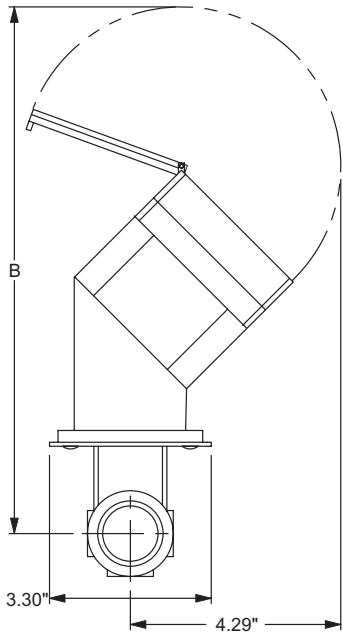
Unibatch is versital too. It can be used for water, chemicals and many slightly aggressive, solid-free liquids.

Here's how the reliable Unibatch works.

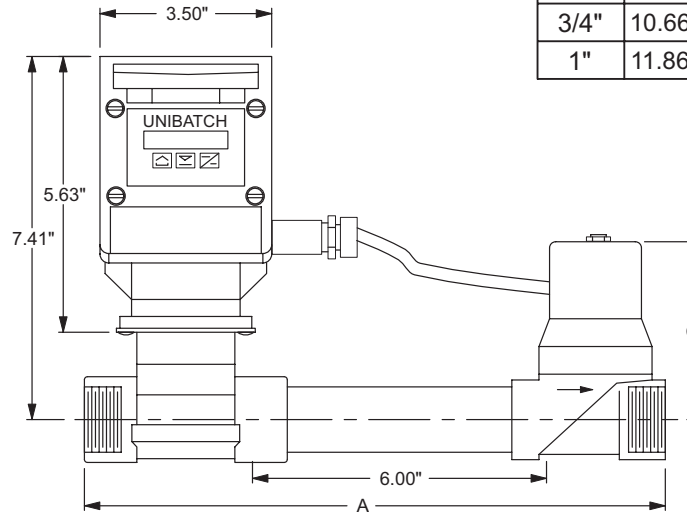
- An operator presets the batch quantity into the batch controller.
- As liquid enters the system, an inline rotor is set into motion inducing a frequency in the meter proportional to flow.
- The batch valve automatically opens to allow flow through the meter.
- When the preset quantity has been achieved, the controller closes the batch valve and stops the flow.

- Available in brass or stainless steel
- Easily commissioned via menu guided setup
- A teach-in automatic calibration mode and comes in five sizes -- 1/2", 3/4", 1", 1 1/2" and 2"
- All sizes have female NPT connections
- Optional flanged or Tri-clamp® available for stainless steel models

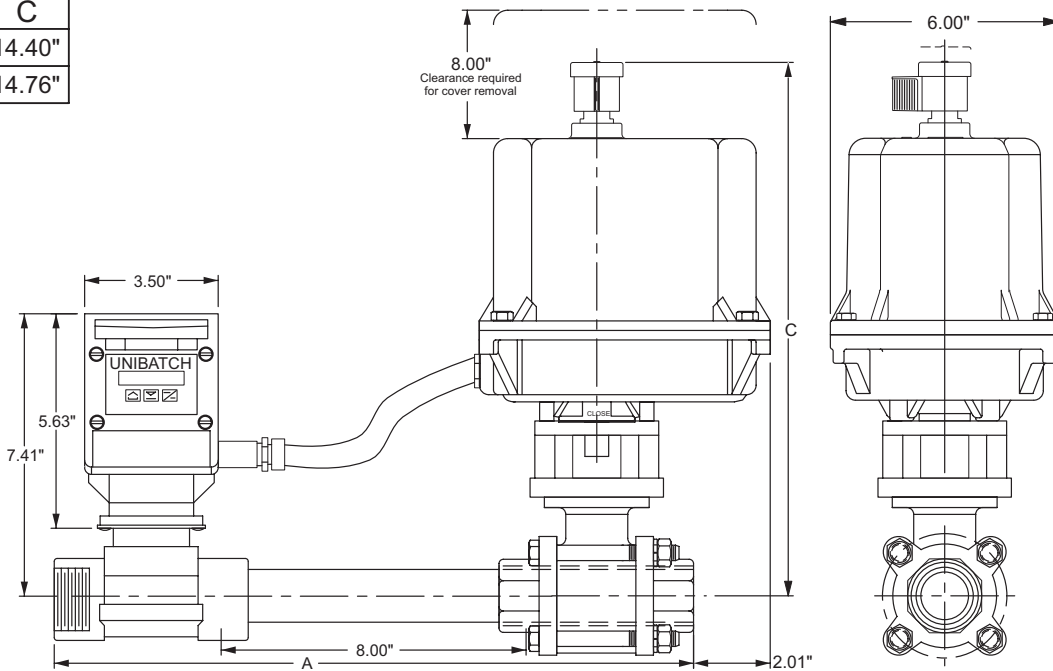
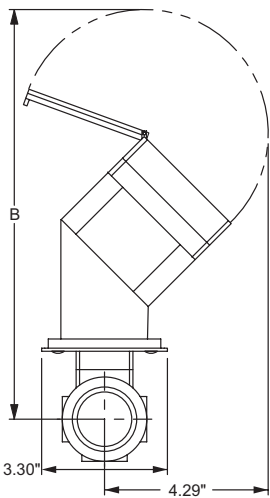




SIZE	A	B	C
1/2"	10.41"	11.02"	3.12"
3/4"	10.66"	11.02"	3.74"
1"	11.86"	11.02"	5.43"



SIZE	A	B	C
1-1/2"	16.42"	11.22"	14.40"
2"	17.80"	11.50"	14.76"



Ordering info

Brass Models

Size	Item Number
1/2"	050BB-SV1ST0
3/4"	075BB-SV1ST0
1"	100BB-SV1ST0
1 1/2"	150BB-BV2STE
2"	200BB-BV2STE

Stainless Steel Models

Size	Item Number
1/2"	050BS-SV1ST0
3/4"	075BS-SV1ST0
1"	100BS-SV1ST0
1 3/4"	150BS-BV2STE
2"	200BS-BV2STE

UNIBATCH
The easy way to manage your liquid assets.

1312 W. Lake Street
Chicago, IL 60607-1512

unibatch.com

1.888.325.4847