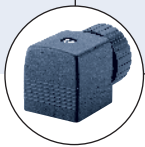


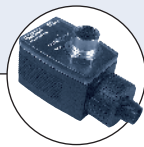
Type 0142 can be combined with...



**Type 2508**  
Cable plug



**Type 1078**  
Timer unit

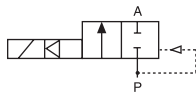


**Type 2511/12**  
ASI cable plug

Servo-assisted solenoid valve with diaphragm, normally closed function. Hermetic isolation of fluid from the actuator. A minimum differential pressure of 7 PSI is required to fully open the valve.

Valves can be mounted or removed radially for a space-saving installation.

#### Circuit function A



2/2- way valve, normally closed, with 3-way pilot servo-assistance

## 2/2-way Solenoid Valve for aggressive media, true union, Ø20-63

- Isolating diaphragm between the solenoid and fluid
- Non-metallic valve internals
- Pivoted armature, with lockable manual override
- Simple installation and removal

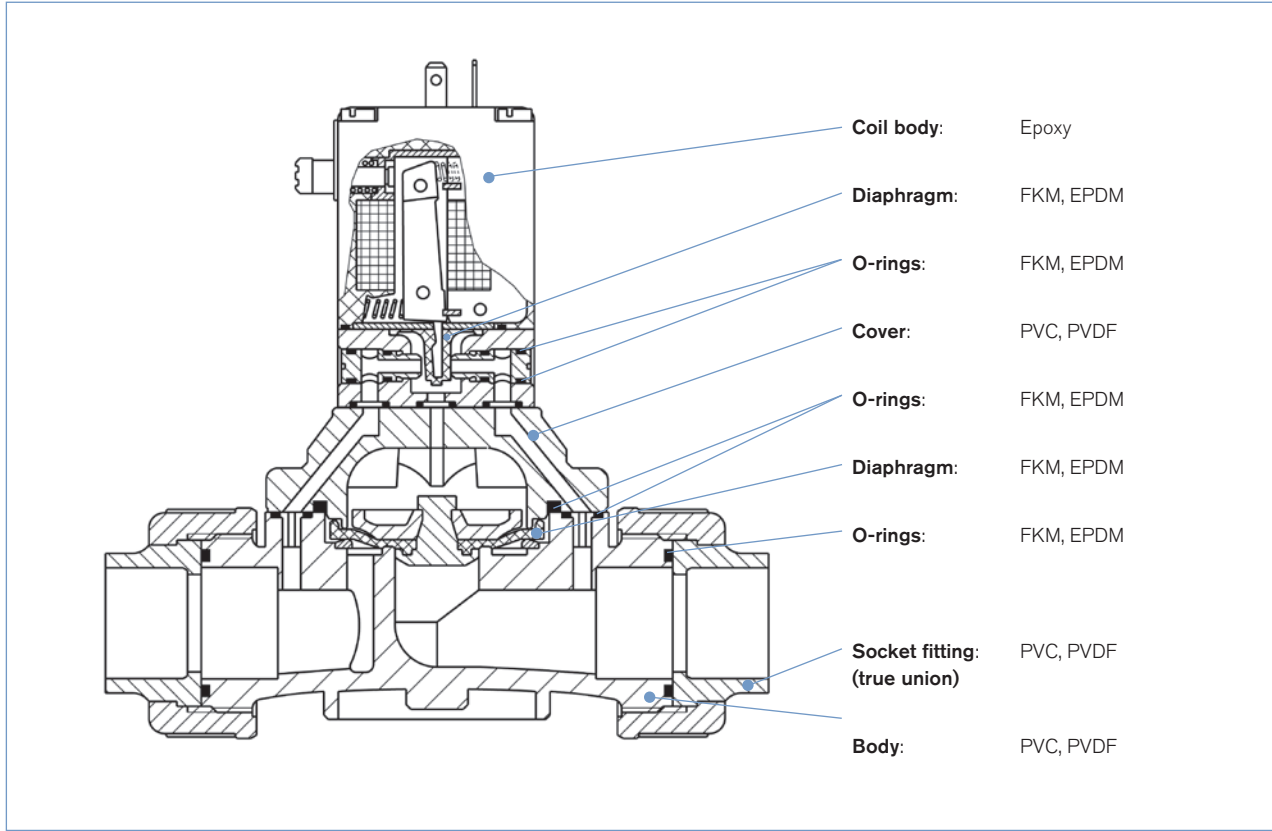
Technical data	
<b>Orifice</b>	DN 15 - 50
<b>Body material</b>	PVC, PVDF (on request)
<b>Inner part valve</b>	PVDF
<b>Seal material</b>	FKM, EPDM
<b>Media with EPDM with FKM</b>	Alkalis, alkaline washing and bleaching lyes Oxydizing acids and substances, salt solutions
<b>Media temperature</b> PVC-body PVDF-body	32°F to 122°F (0°C to +50°C) 32°F to 158°F (0°C to +70°C)
<b>Ambient temperature</b> PVC-body PVDF-body	32°F to 104°F (0°C to +40°C) 32°F to 131°F (0°C to +55°C)
<b>Voltage tolerance</b>	±10%
<b>Duty cycle</b>	100% continuous rating
<b>Electrical connection</b>	Cable plug for Ø 7 mm acc. to DIN EN 175301-803 Form A (supplied as standard)
<b>Protection class</b>	IP 65 with cable plug
<b>Coil insulation class</b>	Class H
<b>Port connection</b>	True union
<b>Installation</b>	as required, preferably with actuator upright

Power consumption			
Inrush		Hold (hot coil)	
AC [VA]	DC [W]	AC [VA/W]	DC [W]
20	5	11/5	5

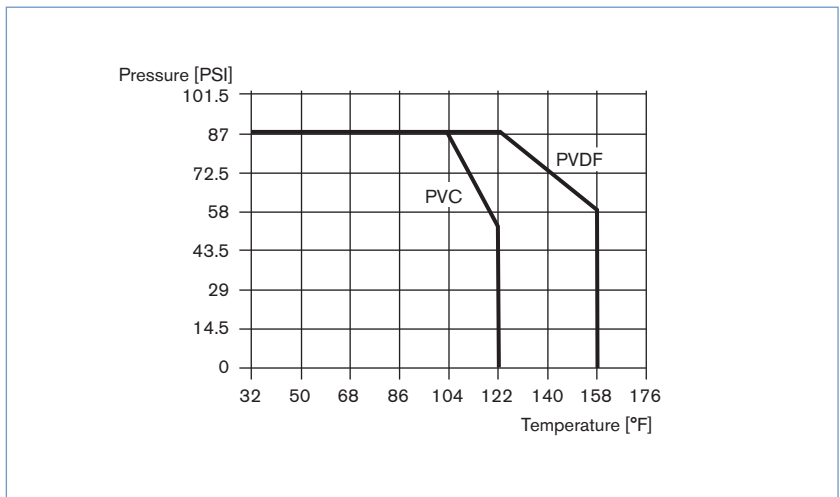
Response times <sup>1)</sup>	
Opening [ms]	100 - 800
Closing [ms]	1000 - 4000

<sup>1)</sup> Measured at valve outlet at 87 PSI and 68°F (+20°C) acc. to ISO 12238.  
Opening: Pressure rise 0 to 90%, Closing: Pressure drop 100 to 10%

Materials



Pressure-Temperature-chart for PVC and PVDF

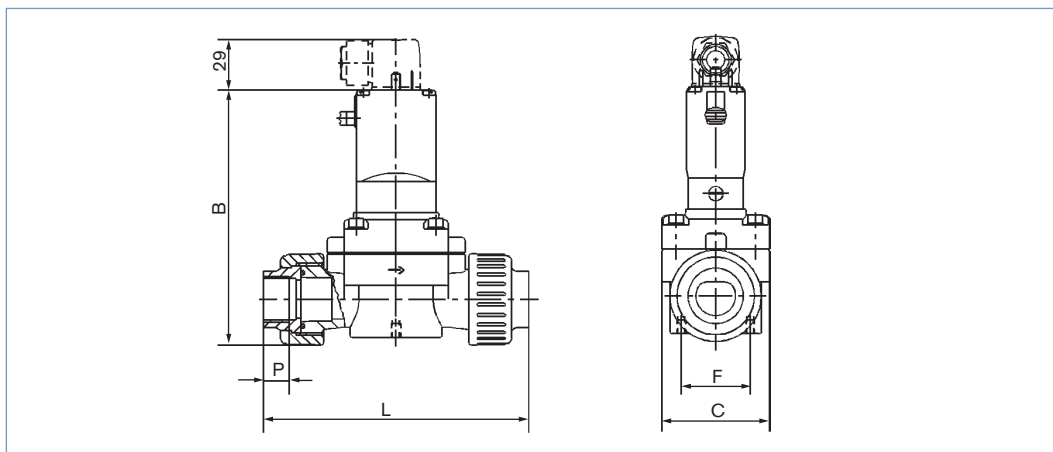


DTS 1000082392 EN Version: A Status: RL (released | freigegeben | validé) printed: 02.02.2010

## Ordering chart

Circuit	Pressure Range [PSI]	Body Material	Seal Material	Port Connection	Orifice Value Size [inch]	C <sub>v</sub> [gpm]	Voltage/Frequency	Item no.
A	7-87	PVC	EPDM	1/2"	9/16"	5.8	24/DC	453 994
							24/60	454 302
							120/60	453 349
							240/60	457 214
				3/4"	3/4"	7.0	24/DC	453 988
							24/60	453 987
							120/60	453 350
							240/60	US01215
				1"	1"	16.3	24/DC	454 004
							24/60	US00569
							120/60	453 351
							240/60	456 283
				1 1/4"	1 1/4"	18.6	24/DC	US06217
							120/60	454 102
							240/60	US00283
							24/DC	US00165
				1 1/2"	1 1/2"	35.0	24/60	US01068
							120/60	453 352
							240/60	US01055
							24/DC	US01634
				2"	2"	41.9	24/60	US00574
							120/60	453 353
							240/60	US01454
							24/DC	454 573
			FKM	1/2"	9/16"	5.8	120/60	454 146
							240/60	US06525
							24/DC	US02219
							120/60	453 964
				3/4"	3/4"	7.0	24/DC	455 566
							120/60	455 024
							24/DC	US05647
							120/60	454 247
				1"	1"	16.3	24/DC	US05260
							120/60	454 232
							24/DC	454 705
							120/60	454 909
				1 1/4"	1 1/4"	18.6	120/60	457 922
							24/DC	088 655
							120/60	US01997
							120/60	123 844
				1 1/2"	1 1/2"	35.0	120/60	US05588
							120/60	US05590
							24/DC	088 662
							120/60	US06442
				2"	2"	41.9	120/60	US05589
							24/DC	088 661
							24/60	150 496
							120/60	126 550
PVDF	EPDM	20mm	9/16"	5.8	24/DC	089 941		
					120/60	US04203		
					24/DC	089 946		
					120/60	138 766		
		25mm	3/4"	7.0	120/60	126 549		
					24/DC	US05208		
					120/60	US01961		
					24/DC	US00134		
		31mm	1"	16.3	120/60	US02490		
					120/60	US03687		
					120/60	US07088		
					240/60	US01600		
50mm	1 1/2"	35.0	120/60	US00147				
			120/60	US01648				
			120/60	US06523				
			120/60	US01483				
63mm	2"	41.9	120/60	US05718				
			120/60	US05344				
			120/60	453 594				
			120/60	453 594				
FKM	20mm	9/16"	5.8	120/60	453 594			
				24/DC	US06442			
				120/60	US05589			
				24/DC	088 661			
	25mm	3/4"	7.0	24/60	150 496			
				120/60	126 550			
				24/DC	089 941			
				120/60	US04203			
	31mm	1"	16.3	24/DC	089 946			
				120/60	138 766			
				120/60	126 549			
				120/60	126 549			
40mm	1 1/4"	18.6	24/DC	089 946				
			120/60	138 766				
			120/60	126 549				
			120/60	126 549				
50mm	1 1/2"	35.0	120/60	138 766				
			120/60	126 549				
			120/60	126 549				
			120/60	126 549				
63mm	2"	41.9	120/60	126 549				
			120/60	126 549				
			120/60	126 549				
			120/60	126 549				
B	7-87	PVC	EPDM	1/2"	9/16"	5.8	24/60	US05208
							24/DC	US01961
							120/60	US00134
							24/DC	US02490
				3/4"	3/4"	7.0	120/60	US03687
							120/60	US07088
							240/60	US01600
							120/60	US00147
				1"	1"	16.3	120/60	US01648
							120/60	US06523
							120/60	US01483
							120/60	US05718
1 1/4"	1 1/4"	18.6	120/60	US05344				
			120/60	453 594				
			120/60	453 594				
			120/60	453 594				
1 1/2"	1 1/2"	35.0	120/60	453 594				
			120/60	453 594				
			120/60	453 594				
			120/60	453 594				
2"	2"	41.9	120/60	453 594				
			120/60	453 594				
			120/60	453 594				
			120/60	453 594				
FKM	3/4"	3/4"	7.0	120/60	453 594			
				120/60	453 594			
				120/60	453 594			
				120/60	453 594			
	1"	1"	16.3	120/60	453 594			
				120/60	453 594			
				120/60	453 594			
				120/60	453 594			
	1 1/4"	1 1/4"	18.6	120/60	453 594			
				120/60	453 594			
				120/60	453 594			
				120/60	453 594			
1 1/2"	1 1/2"	35.0	120/60	453 594				
			120/60	453 594				
			120/60	453 594				
			120/60	453 594				
2"	2"	41.9	120/60	453 594				
			120/60	453 594				
			120/60	453 594				
			120/60	453 594				

## Dimensions [mm]



All versions					PVC-body		PVDF-body	
DN	Pipe Ø	B	C	F	L	P	L	P
15	20	148	62.5	40	148	16	147	16
20	25	148	62.5	40	154	19	151	18
25	32	174.5	85	44.5	190	22	185	20
32	40	174.5	85	44.5	198	26	189	22
40	50	212	115	44.5	254	31	245	25
50	63	212	115	44.5	268	38	253	29