

2/2-way Globe Control Valve with stainless steel design for media up to +180°C, DN 13-50



- High cycle life
- Flow optimised body in stainless steel 316L
- Deliverable with flow direction below or above seat
- Clean design for optimal use in hygienic environment

Type 2301 can be combined with...



Type 8692/8693
Positioner / Process Controller TopControl



Type 8694
Positioner TopControl Basic



Type 8696
Positioner TopControl Basic



Type 8645
Automation system FreeLINE



Type 8222
Conductivity transmitter

In line with Bürkert's philosophy for modular valves and sensors the construction of the 2301 globe valve fulfils tough criteria for process environments. Unrivalled cycle life and sealing integrity is guaranteed by the proven self adjusting packing gland.

Each globe valve body can be fitted with three to five sizes of trim sets. These parabolic trims provide a reliable and repeatable characteristic to vary the flow. The control cones are available in either stainless steel or with a durable PTFE seal for tight shut-off.

The design enables the easy integration of automation modules whether they are digital electropneumatic positioner or process controller.

The fully integrated system has a compact and smooth design, integrated pneumatic lines, IP65/67/NEMA4X protection class and superior chemical resistance.

Technical data	
Orifice	DN 15 to 50
Port connection Flange connection acc. to Welded and threaded ports	DIN EN 1092-1, ANSI B 16.5, JIS 10K on request
Body materials	Cast stainless steel 316L
Actuator material Actuator Cover	PPS Stainless steel 1.4561 (316Ti)
Plug sealing	PTFE/St.st. (PTFE/stainless steel) and St.st./St.st. (stainless steel/stainless steel)
Seat leakage IEC 534-4/EN 1349	Shut-off class IV for St.st./St.st. Shut-off class VI for PTFE/St.st.
Media	Water, alcohol, oils, fuel, hydraulic fluids, salt solution, alkali solutions, organic solvents, steam
Viscosity	max. 600 mm ² /s
Packing gland	PTFE V-rings with spring compensation
Medium temperature	-10 to +180 °C (max. +130°C for PTFE/St.st. sealing recommended)
Ambient temperature	0 to +60 °C
Control medium	Compressed air
Max. pilot pressure	5.5 to 7 bar
Pilot air ports	Push-in connector for external ø 6 mm or 1/4" tube
Installation	As required, preferably with actuator upright

Content

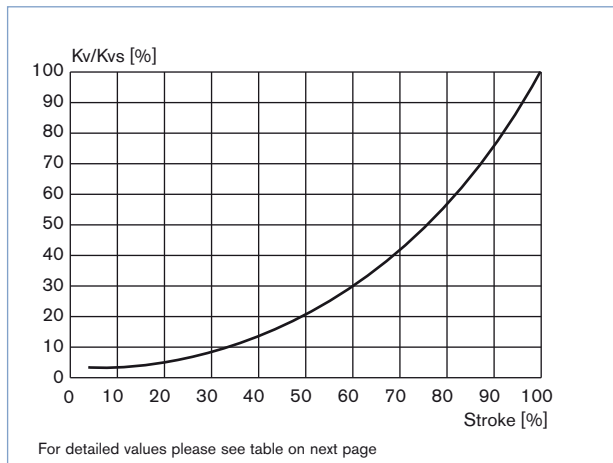
Valve specifications	System spec. Continuous ELEMENT	Request for quotation
Type 2301	Type 8802-GD	Type 8802-GD
Technical data & ordering info.	Technical data & ordering info.	
p. 1-5	p. 6-13	p. 14

Technical data Type 2301 Globe Control Valve, continued

Kvs values

Port size (tube)		Orifice DN (seat) [mm]									
ISO, DIN [mm]	BS, ASME [inch]	04	06	08	10	15	20	25	32	40	50
10	1/2"	0.5	1.2	2.0	2.7	–	–	–	–	–	–
15	3/4"	0.5	1.2	2.1	3.1	3.2	–	–	–	–	–
20	1"	–	–	–	3.2	5.2	7.5	–	–	–	–
25	–	–	–	–	–	5.3	7.2	11.6	–	–	–
32	1 1/2"	–	–	–	–	–	5.0	9.5	13.6	–	–
40	2"	–	–	–	–	–	–	9.7	13.5	16.7	–
50	2 1/2"	–	–	–	–	–	–	–	15.8	18.6	27.9

Flow curve and description



Remarks on the flow characteristic

- Equipercntile parabolic plug for the orifices DN8 to DN50
- Linear plug for the orifices DN4 and DN6
- Flow characteristic runs within DIN/IEC 534-2-4
- Theoretical control ratio (Kvs/Kvo):
 - 50:1 for the orifices DN8 to DN50
 - 25:1 for the orifice DN6
 - 10:1 for the orifice DN4
- KVR value at 5% of stroke for DN > 10 mm
KVR value at 10% of stroke for DN ≤ 10 mm

(KVR value = smallest Kv value at which the gradient tolerance to DIN/IEC 534-2-4 is still complied with)

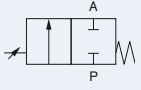
Technical data Type 2301 Globe Control Valve, continued

Kvs values [m³/h]

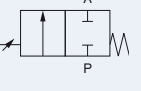
Port size (tube)			Orifice (seat)		Stroke [%]										
ISO, DIN		BS, ASME	[mm]	[inch]	5	10	20	30	40	50	60	70	80	90	100
[mm]	[inch]				[inch]										
10	3/8"	1/2"	4	1/8"	0.04	0.05	0.10	0.16	0.22	0.27	0.32	0.36	0.40	0.44	0.50
			6	3/16"	0.05	0.12	0.32	0.48	0.62	0.76	0.88	0.98	1.07	1.13	1.20
			8	1/4"	0.06	0.07	0.09	0.12	0.18	0.26	0.42	0.61	0.92	1.50	2.00
			10	3/8"	0.09	0.11	0.13	0.19	0.30	0.48	0.73	1.00	1.60	2.3	2.7
15	1/2"	3/4"	4	1/8"	0.04	0.05	0.10	0.16	0.22	0.27	0.32	0.36	0.40	0.44	0.50
			6	3/16"	0.05	0.12	0.32	0.48	0.62	0.76	0.88	0.98	1.07	1.13	1.20
			8	1/4"	0.07	0.08	0.11	0.13	0.19	0.27	0.43	0.63	0.95	1.60	2.1
			10	3/8"	0.09	0.11	0.15	0.19	0.31	0.49	0.75	1.10	1.70	2.5	3.1
			15	1/2"	0.13	0.15	0.21	0.31	0.49	0.77	1.1	1.7	2.6	3.6	4.2
20	3/4"	1"	10	3/8"	0.11	0.12	0.16	0.20	0.33	0.52	0.77	1.20	1.8	2.6	3.2
			15	1/2"	0.14	0.17	0.22	0.35	0.52	0.80	1.20	1.80	2.9	4.0	5.2
			20	3/4"	0.21	0.23	0.32	0.49	0.72	1.1	1.7	2.5	3.4	5.7	7.5
25	1"	-	15	1/2"	0.14	0.17	0.22	0.35	0.52	0.80	1.20	1.80	2.9	4.1	5.3
			20	3/4"	0.20	0.25	0.31	0.47	0.70	1.10	1.60	2.5	3.8	5.4	7.2
			25	1"	0.35	0.38	0.65	1.00	1.50	2.2	3.4	5.1	7.0	9.4	12.0
32	1 1/4"	1 1/2"	20	3/4"	0.14	0.15	0.23	0.33	0.48	0.7	1.0	1.5	2.4	3.6	5.0
			25	1"	0.29	0.38	0.52	0.81	1.2	1.8	2.7	3.9	5.5	7.5	9.5
			32	1 1/4"	0.48	0.58	0.81	1.2	1.7	2.5	3.6	5.0	7.2	11.2	13.6
40	1 1/2"	2"	25	1"	0.29	0.34	0.53	0.78	1.2	1.8	2.7	4.0	5.7	7.6	9.7
			32	1 1/4"	0.34	0.41	0.54	0.88	1.4	2.1	3.1	4.6	7.4	10.1	13.5
			40	1 1/2"	0.54	0.67	1.0	1.4	2.1	3.1	4.4	6.3	9.2	13.9	16.7
50	2"	2 1/2"	32	1 1/4"	0.40	0.47	0.71	0.95	1.6	2.4	3.5	5.2	8.7	12.0	15.8
			40	1 1/2"	0.47	0.56	0.74	1.3	2.0	3.1	4.5	7.0	10.6	14.3	18.6
			50	2"	1.0	1.2	1.8	2.6	3.8	5.4	7.7	11.2	16.4	19.7	27.9

Ordering chart Type 2301 Globe Control Valve, flow direction below seat (for gases and liquid)

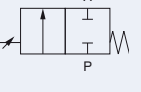
Flange connection acc. to DIN EN 1092-1

Control function	Orifice [mm]	Actuator size Ø [mm]	Min. pilot pressure [bar]	Operating pressure up to +180°C [bar]	Item no. plug sealing PTFE/ St. st.	Item no. plug sealing St. st./ St. st.
A 2/2-way valve, NC 	15	50	5.5	16	204 930	205 007
	20	50	5.5	11	204 933	205 011
	20	70	5.5	16	204 935	205 012
	25	50	5.5	6	204 936	205 013
	25	70	5.5	16	204 937	205 014
	32	90	5.5	16	204 939	205 016
	40	90	5.5	16	204 941	205 018
	50	90	5.5	10	204 942	205 019

Flange connection acc. to ANSI B16.5

Control function	Orifice [mm]	Actuator size Ø [mm]	Min. pilot pressure [bar]	Operating pressure up to +180°C [bar]	Item no. plug sealing PTFE/ St. st.	Item no. plug sealing St. st./ St. st.
A 2/2-way valve, NC 	15	50	5.5	16	204 943	205 020
	20	50	5.5	11	204 945	205 022
	20	70	5.5	16	204 946	205 023
	25	50	5.5	6	204 947	205 024
	25	70	5.5	16	204 948	205 025
	40	90	5.5	16	204 950	205 027
	50	90	5.5	10	204 951	205 028

Flange connection acc. to JIS 10K

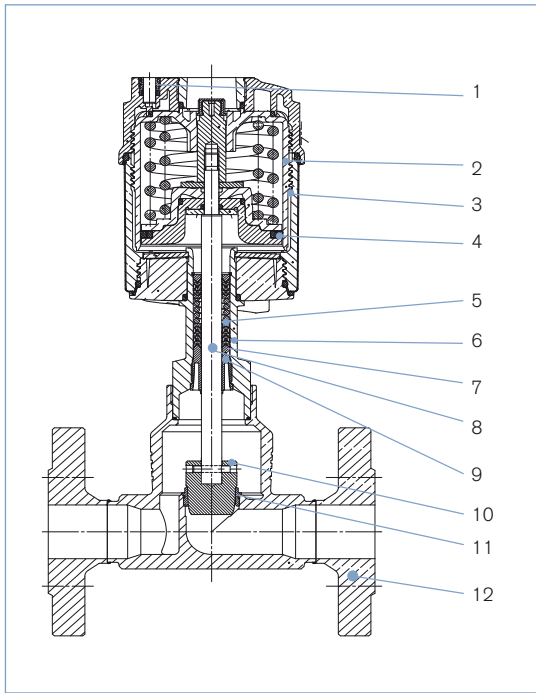
Control function	Orifice [mm]	Actuator size Ø [mm]	Min. pilot pressure [bar]	Operating pressure up to +180°C [bar]	Item no. plug sealing PTFE/ St. st.	Item no. plug sealing St. st./ St. st.
A 2/2-way valve, NC 	15	50	5.5	16	204 952	205 029
	20	50	5.5	11	204 954	205 031
	20	70	5.5	16	204 955	205 032
	25	50	5.5	6	204 956	205 033
	25	70	5.5	16	204 957	205 034
	40	90	5.5	16	204 959	205 037
	50	90	5.5	10	204 960	205 038

i Further versions on request

Control function
B (normally open)

Port connection
Welded and threaded ports

Materials Type 2301 Globe Control Valve



1 Pilot air ports	Push-in connector PP
2 Actuator	PPS
3 Cover	Stainless steel 1.4561 (316Ti)
4 Piston seal	FKM
5 Spring	Stainless steel 1.4310
6 Tube	Stainless steel 1.4404
7 V-sealing	PTFE
8 Spindle	Stainless steel 1.4401 (316)/ (1.4404 (316L) on request)
9 Wiper	PEEK
10 Swivel plate	Stainless steel 1.4571
11 Seal	PTFE or stainless steel 1.4571
12 Valve body	Cast stainless steel 316L

Ordering information for valve system Continuous ELEMENT Type 8802-GD

A **valve system Continuous ELEMENT Type 8802-GD** consists of a **globe control valve Type 2301** and a digital electropneumatic Positioner **Type 8692**, a digital electropneumatic Process Controller **Type 8693** or a digital electropneumatic Positioner Basic **Type 8694** (for valve actuator sizes \varnothing 70/90 mm) or a digital electropneumatic Positioner **Type 8696** (for valve actuator size \varnothing 50 mm) (see separate datasheets).

For the configuration of further valve systems please use the "Request for quotation" on p. 14 [go to page](#)

You order two components and receive a complete assembled and certified valve.

Ordering the valve system Continuous ELEMENT Type 8802-GD with valve actuator sizes \varnothing 70/90 mm

Globe control valve Type 2301
with actuator sizes \varnothing 70/ \varnothing 90 mm **Control unit**



Type 8692



Type 8693



Type 8694

Globe control valve
with desired control unit



Valve system
Continuous
ELEMENT
Type 8802-GD-I
2301 + 8692



Valve system
Continuous
ELEMENT
Type 8802-GD-J
2301 + 8693



Valve system
Continuous
ELEMENT
Type 8802-GD-L
2301 + 8694

Click on the orange box "More info." below... you will come to our website for the resp. product where you can download the datasheet.

Positioner TopControl
Type 8692

More info.

Process Controller
TopControl Type 8693

More info.



PROFIBUS

DeviceNet™



The new generation of integrated positioners/process controllers for combination with actuators from the process valve series Type 23xx/2103 is specially designed for the requirements of hygienic process environments. The easy handling and the selection of additional software functions are done either on a big graphic display with backlight and keypad or via a PC interface. A contact-free analog position sensor registers the valve position without deterioration. Single-acting or double-acting actuators are controlled via the integral positioner system. With Type 8693, the process controller function is superimposed on the position control loop. Profibus DPV1 and DeviceNet communication interfaces are available as options.

Main customer benefits:

- Compact design of the valve system with integrated positioner/process controller meets the demands for plant washdown environments through the selection of materials, external seals and integrated control air supply to the actuator
- Extremely simple commissioning and operation thanks to the backlighting of the graphics display and proven multilingual software structure
- Automatic parameterisation of the positioner and process controller using the TUNE functions
- Field bus communication via Profibus DPV1 or DeviceNet
- Air intake filter enhances the process valve system availability
- Simple and reliable actuator adaption
- Explosion-proof models for zone 2/22

Positioner TopControl Basic Type 8694

More info.



The new generation of integrated positioners for combination with actuators from the process valve series Type 23xx/2103 is specially designed for the requirements of hygienic process environments. The operation and selection of the software functions close tight function, inversion of the operating direction of the setpoint signal, characteristic curves selection and switching manual/automatic operation are effected via push-buttons and DIP switches or via the PC interface. The position setpoint is set using the standard signal 4 - 20 mA. In addition, the enable can be controlled via the binary input and an optional position feedback can be integrated. The positioner, Type 8694, registers the valve position without deterioration through a contact-free analogue position sensor. Single-acting or double-acting actuators are controlled via the integral positioner system. An AS-Interface communication interface is available as an option.

Main customer benefits:

- Compact design of the valve system with integrated positioner meets the demands for plant washdown environments through the selection of materials, external seals and integrated control air supply to the actuator
- Automatic parameterisation of the process controller using the Process TUNE function
- Field bus communication via optional AS-Interface
- Air intake filter enhances the process valve system availability
- Simple and reliable actuator adaption allowing additional actuators of the process valve series, Type 20xx or actuators from other manufacturers to be used
- Explosion-proof models for zone 2/22

Ordering information for valve system Continuous ELEMENT Type 8802-GD, continued

A valve system Continuous ELEMENT Type 8802-GD consists of a globe control valve Type 2301 and a digital electropneumatic Positioner Type 8692, a digital electropneumatic Process Controller Type 8693 or a digital electropneumatic Positioner Basic Type 8694 (for valve actuator sizes \varnothing 70/90 mm) or a digital electropneumatic Positioner Type 8696 (for valve actuator size \varnothing 50 mm) (see separate datasheets).

For the configuration of further valve systems please use the "Request for quotation" on p. 14 [go to page](#)

You order two components and receive a complete assembled and certified valve.

Ordering the valve system Continuous ELEMENT Type 8802-GD with valve actuator size \varnothing 50 mm

Globe control valve Type 2301
with actuator size \varnothing 50 mm



Control Head



Type 8696

Globe control valve with
desired control unit



Valve system
Continuous ELEMENT
Type 8802-GD-M
2301 + 8696

Click on the orange box "More info." below... you will come to our website for the resp. product where you can download the datasheet.

TopControl Basic Type 8696



More info.

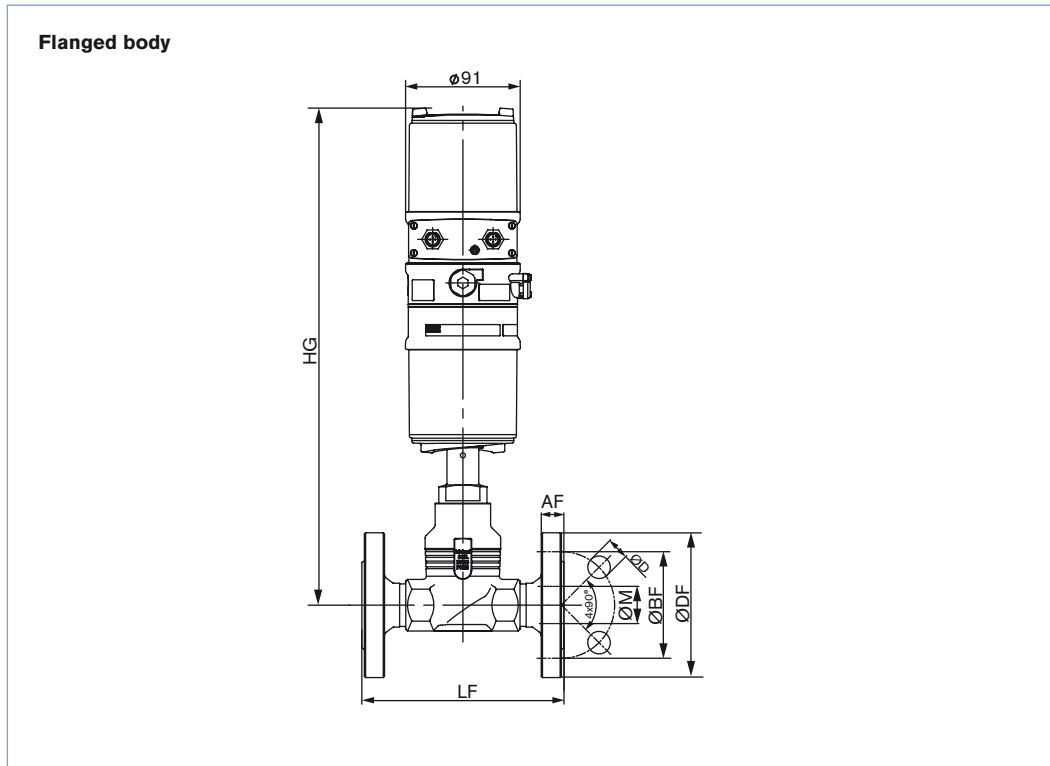
The new generation of integrated positioners for combination with small actuators from the process valve series Type 23xx/2103 is specially designed for the requirements of hygienic process environments. The operation and selection of the software functions close tight function, inversion of the operating direction of the setpoint signal, characteristic curves selection and switching manual/automatic operation are effected via push-buttons and DIP switches or via the PC interface. The position setpoint is set using the standard signal 4 - 20 mA. In addition, the enable can be controlled via the binary input and an optional position feedback can be integrated. The positioner, Type 8696, registers the valve end position without deterioration through a contact-free analogue position sensor. Single-acting actuators are controlled via the integral positioner system.

Main customer benefits:

- Compact design of the valve system with integrated positioner meets the demands for plant washdown environments through the selection of materials, external seals and integrated control air supply to the actuator
- Automatic parameterisation of the positioner using the TUNE function
- Simple and reliable actuator adaption
- Explosion-proof models for zone 2/22

Dimensions for valve system Continuous ELEMENT Type 8802-GD [mm]

Dimensions valve system Continuous ELEMENT Type 8802-GD-I with positioner TopControl Type 8692 or 8802-GD-J with process controller TopControl Type 8693 [mm]



DIN EN 1092, JIS 10K

Orifice [mm]	Actuator size [mm]	HG	DIN EN 1092						JIS 10K					
			ØDF	LF	ØBF	AF	ØD	ØM	ØDF	LF	ØBF	AF	ØD	ØM
10	70	383	90	130	60	16	14	13.6	–	–	–	–	–	–
15	70	383	95	130	65	16	14	18.1	95	108	70	12	15	18.1
20	70	389	105	150	75	18	14	23.7	100	117	75	14	15	23.7
25	70	396	115	160	85	18	14	29.7	125	127	90	14	19	29.7
32	90	473	140	180	100	18	18	38.4	135	140	100	16	19	38.4
40	90	478	150	200	110	18	18	44.3	140	165	105	16	19	44.3
50	90	485	165	230	125	20	18	56.3	155	203	120	16	19	56.3

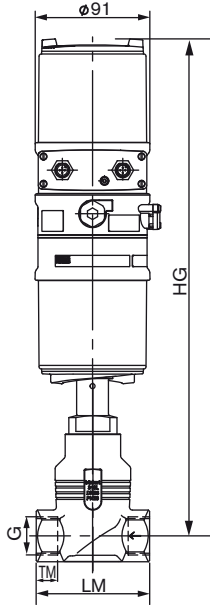
ANSI B 16.5

Orifice [inch]	Actuator size [mm]	HG	ØDF	LF	ØBF	AF	ØD	ØM
1/2"	70	383	89	184	60.5	11.2	15.7	15.7
3/4"	70	389	99	184	69.9	12.7	15.7	20.8
1"	70	396	108	184	79.2	14.2	15.7	26.7
1 1/2"	90	478	127	222	98.6	17.5	15.7	40.9
2"	90	485	152	254	120.7	19.1	19.1	52.6

Dimensions for valve system Continuous ELEMENT Type 8802-GD [mm], continued

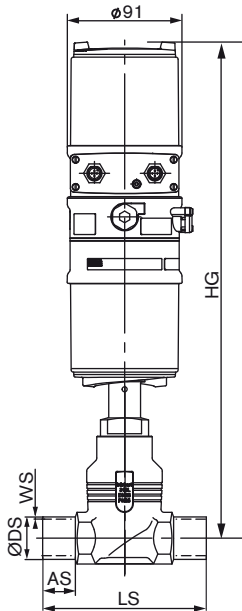
Dimensions valve system Continuous ELEMENT Type 8802-GD-I with positioner TopControl Type 8692 or 8802-GD-J with process controller TopControl Type 8693 [mm]

Threaded body



Actuator size [mm]	G			LM	HG	TM		
	G	NPT	Rc			G	NPT	Rc
70	G 1/2"	NPT 1/2"	Rc 1/2"	65	383	14	13.7	13.2
70	G 3/4"	NPT 3/4"	Rc 3/4"	75	389	16	14	14.5
70	G 1"	NPT 1"	Rc 1"	90	396	18	16.8	16.8
90	G 1 1/4"	NPT 1 1/4"	Rc 1 1/4"	110	473	20	17.3	19.1
90	G 1 1/2"	NPT 1 1/2"	Rc 1 1/2"	120	478	22	17.3	19.1
90	G 2"	NPT 2"	Rc 2"	150	485	24	17.6	23.4

Weld end body



ISO 4200, DIN 11850 S2

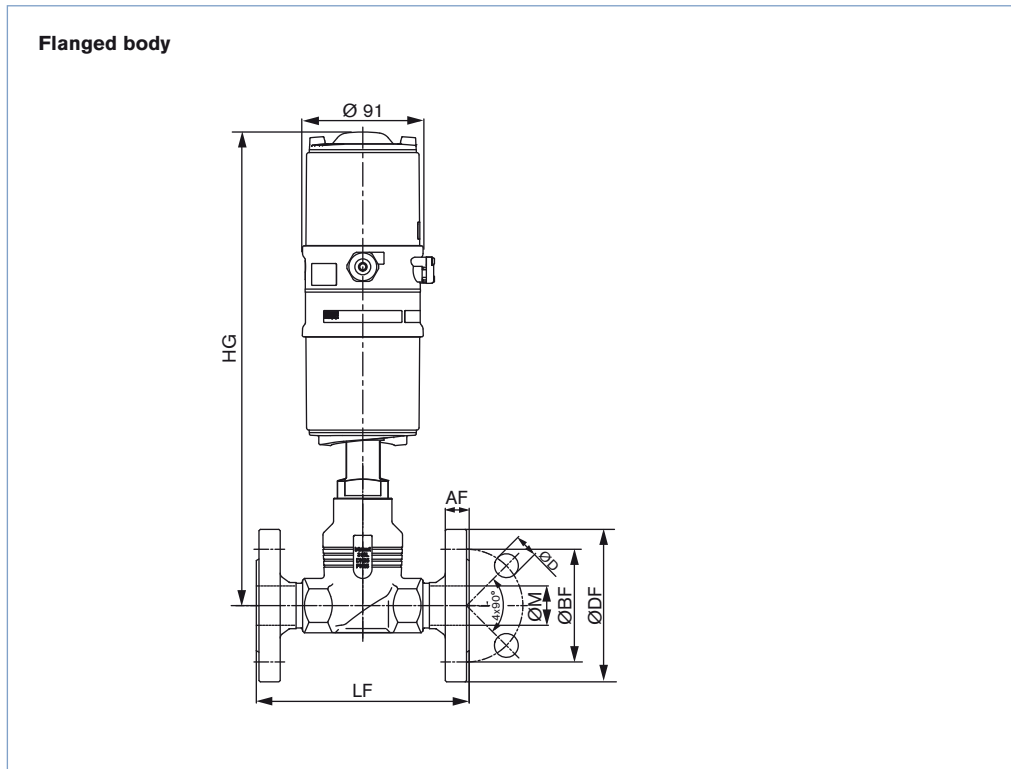
Orifice [mm]	Actuator size [mm]			HG	ISO 4200		DIN 11850 S2	
		AS	LS		ØDS	WS	ØDS	WS
10	70	20	90	383	17.2	1.6	13	1.5
15	70	20	90	383	21.3	1.6	19	1.5
20	70	20	100	389	26.9	1.6	23	1.5
25	70	26	130	396	33.7	2.0	29	1.5
32	90	26	140	473	42.4	2.0	35	1.5
40	90	26	150	478	48.3	2.0	41	1.5
50	90	26	175	485	60.3	2.0	53	1.5

BS4825 Part 1, ASME BPE

Orifice [inch]	Actuator size [mm]			HG	BS4825 Part1		ASME BPE	
		AS	LS		ØDS	WS	ØDS	WS
1/2"	70	20	90	383	12.7	1.2	12.7	1.65
3/4"	70	20	90	389	19.05	1.2	19.05	1.65
1"	70	20	100	396	25.4	1.6	25.4	1.6
1 1/2"	90	26	140	473	38.1	1.6	38.1	1.6
2"	90	26	150	478	50.8	1.6	50.8	1.6
2 1/2"	90	26	175	485	63.5	1.6	63.5	1.6

Dimensions for valve system Continuous ELEMENT Type 8802-GD [mm], continued

Dimensions valve system Continuous ELEMENT Type 8802-GD-L with positioner TopControl Basic Type 8694 [mm]



DIN EN 1092. JIS 10K

Orifice [mm]	Actuator size [mm]	HG	DIN EN 1092						JIS 10K					
			ØDF	LF	ØBF	AF	ØD	ØM	ØDF	LF	ØBF	AF	ØD	ØM
10	70	346	90	130	60	16	14	13.6	-	-	-	-	-	-
15	70	346	95	130	65	16	14	18.1	95	108	70	12	15	18.1
20	70	352	105	150	75	18	14	23.7	100	117	75	14	15	23.7
25	70	359	115	160	85	18	14	29.7	125	127	90	14	19	29.7
32	90	436	140	180	100	18	18	38.4	135	140	100	16	19	38.4
40	90	441	150	200	110	18	18	44.3	140	165	105	16	19	44.3
50	90	448	165	230	125	20	18	56.3	155	203	120	16	19	56.3

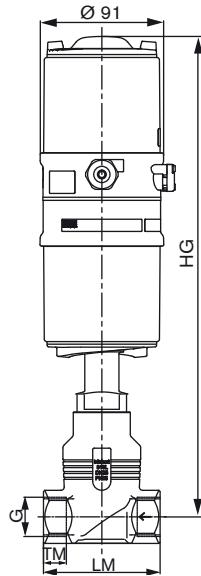
ANSI B 16.5

Orifice [inch]	Actuator size [mm]	HG	ØDF	LF	ØBF	AF	ØD	ØM
1/2"	70	346	89	184	60.5	11.2	15.7	15.7
3/4"	70	352	99	184	69.9	12.7	15.7	20.8
1"	70	359	108	184	79.2	14.2	15.7	26.7
1 1/2"	90	441	127	222	98.6	17.5	15.7	40.9
2"	90	448	152	254	120.7	19.1	19.1	52.6

Dimensions for valve system Continuous ELEMENT Type 8802-GD [mm], continued

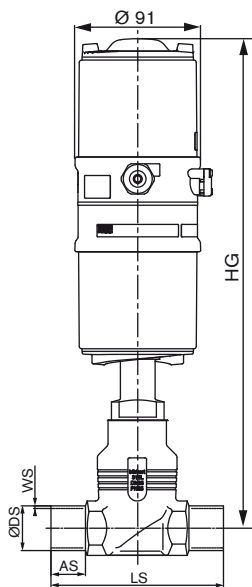
Dimensions valve system Continuous ELEMENT Type 8802-GD-L with positioner TopControl Basic Type 8694 [mm]

Threaded body



Actuator size [mm]	G					TM		
	G	NPT	Rc	LM	HG	G	NPT	Rc
70	G 1/2"	NPT 1/2"	Rc 1/2"	65	346	14	13.7	13.2
70	G 3/4"	NPT 3/4"	Rc 3/4"	75	352	16	14	14.5
70	G 1"	NPT 1"	Rc 1"	90	359	18	16.8	16.8
90	G 1 1/4"	NPT 1 1/4"	Rc 1 1/4"	110	436	20	17.3	19.1
90	G 1 1/2"	NPT 1 1/2"	Rc 1 1/2"	120	441	22	17.3	19.1
90	G 2"	NPT 2"	Rc 2"	150	448	24	17.6	23.4

Weld end body



ISO 4200. DIN 11850 S2

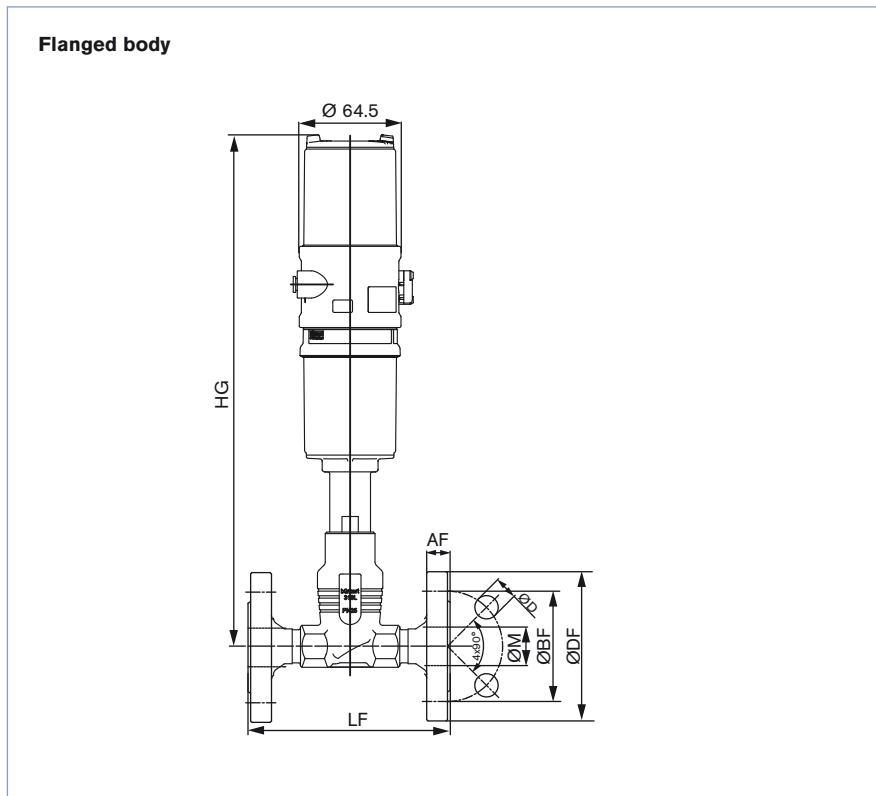
Orifice [mm]	Actuator size [mm]	ISO 4200			DIN 11850 S2			
		AS	LS	HG	ØDS	WS		
10	70	20	90	346	17.2	1.6	13	1.5
15	70	20	90	346	21.3	1.6	19	1.5
20	70	20	100	352	26.9	1.6	23	1.5
25	70	26	130	359	33.7	2.0	29	1.5
32	90	26	140	436	42.4	2.0	35	1.5
40	90	26	150	441	48.3	2.0	41	1.5
50	90	26	175	448	60.3	2.0	53	1.5

BS4825 Part 1. ASME BPE

Orifice [inch]	Actuator size [mm]	BS4825 Part1			ASME BPE			
		AS	LS	HG	ØDS	WS		
1/2"	70	20	90	346	12.7	1.2	12.7	1.65
3/4"	70	20	90	346	19.05	1.2	19.05	1.65
1"	70	20	100	352	25.4	1.6	25.4	1.6
1 1/2"	90	26	140	436	38.1	1.6	38.1	1.6
2"	90	26	150	441	50.8	1.6	50.8	1.6
2 1/2"	90	26	175	448	63.5	1.6	63.5	1.6

Dimensions for valve system Continuous ELEMENT Type 8802-GD [mm], continued

Dimensions valve system Continuous ELEMENT Type 8802-GD-M with control head Type 8696 [mm]



DIN EN 1092, JIS 10K

Orifice [mm]	Actuator size [mm]	HG	DIN EN 1092						JIS 10K					
			ØDF	LF	ØBF	AF	ØD	ØM	ØDF	LF	ØBF	AF	ØD	ØM
10	50	329	90	130	60	16	14	13.6	–	–	–	–	–	–
15	50	329	95	130	65	16	14	18.1	95	108	70	12	15	18.1
20	50	335	105	150	75	18	14	23.7	100	117	75	14	15	23.7
25	50	342	115	160	85	18	14	29.7	125	127	90	14	19	29.7

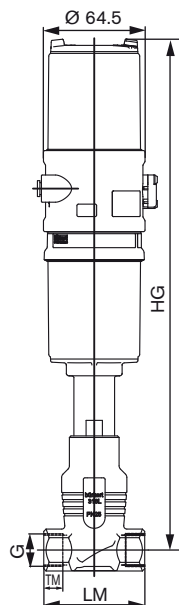
ANSI B 16.5

Orifice [inch]	Actuator size [mm]	HG	ØDF	LF	ØBF	AF	ØD	ØM
1/2"	50	329	89	184	60.5	11.2	15.7	15.7
3/4"	50	335	99	184	69.9	12.7	15.7	20.8
1"	50	342	108	184	79.2	14.2	15.7	26.7

Dimensions for valve system Continuous ELEMENT Type 8802-GD [mm], continued

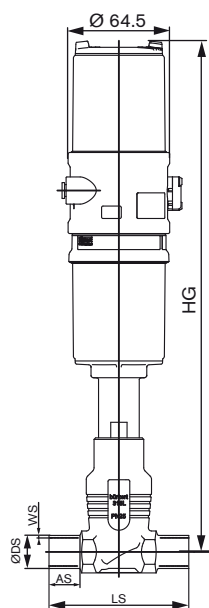
Dimensions valve system Continuous ELEMENT Type 8802-GD-M with control head Type 8696 [mm]

Threaded body



G				TM			
G	NPT	Rc	LM	HG	G	NPT	Rc
G 1/2"	NPT 1/2"	Rc 1/2"	65	329	14	13.7	13.2
G 3/4"	NPT 3/4"	Rc 3/4"	75	335	16	14	14.5
G 1"	NPT 1"	Rc 1"	90	342	18	16.8	16.8

Weld end body



ISO 4200, DIN 11850 S2

Orifice [mm]				ISO 4200		DIN 11850 S2	
	AS	LS	HG	ØDS	WS	ØDS	WS
10	20	90	329	17.2	1.6	13	1.5
15	20	90	329	21.3	1.6	19	1.5
20	20	100	335	26.9	1.6	23	1.5
25	26	130	342	33.7	2.0	29	1.5

BS4825 Part 1, ASME BPE

Orifice [inch]				BS4825 Part1		ASME BPE	
	AS	LS	HG	ØDS	WS	ØDS	WS
1/2"	20	90	329	12.7	1.2	12.7	1.65
3/4"	20	90	335	19.05	1.2	19.05	1.65
1"	20	100	342	25.4	1.6	25.4	1.6

You can fill out the fields directly in the PDF file before printing out the form.

Valve system Continuous ELEMENT Type 8802-GD - Request for quotation

Please fill out and send to your nearest Bürkert facility* with your inquiry or order

Company	Contact person
Customer no.	Department
Address	Tel./Fax
Postcode/town	E-Mail

= mandatory fields to fill out Quantity Required delivery date

Operating data

Pipeline	DN	<input type="text"/>	PN	<input type="text"/>
Pipe material	<input type="text"/>			
<input type="checkbox"/> Process medium	<input type="text"/>			
<input type="checkbox"/> Type of medium	<input type="checkbox"/> Liquid	<input type="checkbox"/> Steam	<input type="checkbox"/> Gas	
	min	standard	max	unit
<input type="checkbox"/> Flow rate (Q, Q _N , W) ¹⁾	<input type="text"/>	<input type="text"/>	<input type="text"/>	<input type="text"/>
<input type="checkbox"/> Temperature at valve inlet T1	<input type="text"/>	<input type="text"/>	<input type="text"/>	<input type="text"/>
<input type="checkbox"/> Absolute pressure at valve inlet P1	<input type="text"/>	<input type="text"/>	<input type="text"/>	<input type="text"/>
<input type="checkbox"/> Absolute pressure at valve outlet P2	<input type="text"/>	<input type="text"/>	<input type="text"/>	<input type="text"/>
Steam pressure P _v	<input type="text"/>	<input type="text"/>	<input type="text"/>	<input type="text"/>
Kinematic viscosity (ν)	<input type="text"/>	mm ² /s or cSt		
Dynamic viscosity (η)	<input type="text"/>	mPa.s or cP		
Standard density	<input type="text"/>	Kg/m ³		
Max. sound level accepted	<input type="text"/>	dB (A)		

¹⁾ standard unit: Liquid Q = m³/h; Steam W = kg/h; Gas Q_N = Nm³/h

Valve features

Plug seal material	<input type="checkbox"/> PTFE/Stainless steel	<input type="checkbox"/> Stainless steel/Stainless steel		
Nominal pressure	PN	<input type="text"/>		
Orifice	DN	<input type="text"/>		
Type of connection	<input type="checkbox"/> Flanged	<input type="checkbox"/> Threaded	<input type="checkbox"/> Welded	<input type="checkbox"/> Clamp
Standard connection	<input type="checkbox"/> ISO	<input type="checkbox"/> DIN	<input type="checkbox"/> Other	<input type="text"/>
Control function	<input type="checkbox"/> NC ¹⁾	<input type="checkbox"/> NO ¹⁾		
Please specify item no. if known):	<input type="text"/>			

¹⁾ NC: normally closed by spring action; NO: normally open by spring action

Control unit features

For actuator sizes 70/90 mm		For actuator size 50 mm
<input type="checkbox"/> Positioner TopControl Type 8692	<input type="checkbox"/> Process Controller Top-Control Type 8693	<input type="checkbox"/> Positioner TopControl Basic Type 8694
<input type="checkbox"/> Positioner TopControl Type 8692	<input type="checkbox"/> Process Controller Top-Control Type 8693	<input type="checkbox"/> Positioner TopControl Basic Type 8696
Pneumatic function <input type="checkbox"/> Single-acting <input type="checkbox"/> Double-acting	Pneumatic function <input type="checkbox"/> Single-acting	Pneumatic function <input type="checkbox"/> Single-acting
Communication <input type="checkbox"/> Profibus <input type="checkbox"/> DeviceNet	Pilot air ports <input type="checkbox"/> Push-in connector external ø 6 mm or 1/4" <input type="checkbox"/> Thread G 1/8"	Pilot air ports <input type="checkbox"/> Push-in connector external ø 6 mm or 1/4" <input type="checkbox"/> Thread G 1/8"
Electrical connection <input type="checkbox"/> Cable gland <input type="checkbox"/> Multipol connection	Feedback <input type="checkbox"/> 4-20 mA	Feedback <input type="checkbox"/> 4-20 mA
Feedback <input type="checkbox"/> 4-20 mA <input type="checkbox"/> 4-20 mA + 2 binary outputs	<input type="checkbox"/> Initiator	<input type="checkbox"/> Initiator
Please specify item no. if known): <input type="text"/>	Please specify item no. if known): <input type="text"/>	Please specify item no. if known): <input type="text"/>

Comments

* To find your nearest Bürkert facility, click on the orange box → www.burkert.com