

WaterMAG

Electromagnetic Flowmeter for Water Applications

Model MCB10A

OVERVIEW

The WaterMAG is an electromagnetic flowmeter for water measurement applications based on field proven Yamatake technologies.

The WaterMAG, offers appropriate functions for water applications, thus compact in size and best meets water flow monitoring.



Nominal size: 15 to 100 mm

FEATURES

Lowest “Cost of Ownership”

Energy efficient

No pressure loss occurs with the electromagnetic flowmeter thus resulting in less energy required for the flow.

Maintenance free

WaterMAG does not have any moving parts in a flowtube thus resulting in free from maintenance.

Easy operation

WaterMAG has all necessary functions for water flow monitoring thus resulting in easy operation.

Compact in size and light in weight

Easy to handle and easy to install.

APPLICATIONS

Utility in factories

Monitoring water consumption in factories.

Monitoring cooling water

Monitoring filtering water

For converter**FUNCTIONAL SPECIFICATIONS****Type of protection**

IEC IP65 (for indoor use only)

Output signal**Analog output**

4 to 20 mA DC

Load resistance: 0 to 400 Ω

Pulse output

Select either pulse output or contact output.

Pulse output (Totalized value output)

Open collector

Contact capacitance: 30V DC max., 100 mA max.

Pulse width: 1 ms to 1 s

Adjustable between 1ms to 1s or fixed at 50% of duty.

Pulse frequency: 0.0001 to 500 Hz

Contact output

Open collector

Contact capacitance: 30 V DC max., 100mA max.

Alarm for Hi-Lo limit or failure status output

Flow unitVolume flow: m³, L, cm³, G, mG, kG, B (barrel)

Mass flow : t, kg, g, lb.

Time : d, h, m, s

Display**Display: LCD**

Main display: 7-segment, 8 digits

Sub display: 16 digits, 2 lines

Display contents:

Demonstrates three values simultaneously

% flow rate, Actual flow rate, Totalized value

Data setting

Operation by four key switches

Damping

Adjustable between 0.5 and 199.9 seconds.

Default setting: 5 seconds

Low flow cutoff

Adjustable between OFF (0%) and 10% of setting range.

Below selected value, output is driven to the zero flow rate signal level.

Default setting: OFF (0%)

Dropout

Adjustable between 0 and 10% of setting range.

Below selected value, pulse output is cut.

Default setting: 2%

Empty pipe detection

If the detector is empty, analog output and pulse output will be fixed at zero. The display will be latched to zero and "EMPTY" will be indicated.

Failure diagnostics

If the converter malfunctions, the analog output will be automatically fixed at 3.6 mA.

Power failure

An EEPROM retains data record of totalized flow volume when pulse output is used.

Power supply

24V DC ± 10% or 100V AC ± 10%

Power consumption

2.4W max.

Ambient temperature limits

0 to 50°C

Ambient humidity limits

5 to 85% RH (no condensation)

Optional specifications**Traceability certificate**

The following three documents are included.

- Traceability system chart
- Traceability certificate
- Test report

PHYSICAL SPECIFICATIONS**Case material**

Polycarbonate

Case cover material

Polycarbonate

INSTALLATION**Cable gland**

Plastic gland (3 pieces)

Cable

Applicable cable outer diameter: φ6 to φ12 mm

Applicable cable conductor

Power supply: AWG14 to 22 (0.32 to 2.03 mm²)Outputs: AWG16 to 26 (0.13 to 1.31 mm²)**Mounting**

Integral type

Grounding

Grounding resistance should be less than 100 Ω

Vibration effectIntegral style: 4.9 m/s² max. (0.5 G max.)

For detector**FUNCTIONAL SPECIFICATIONS****Type of protection**

IEC IP65 (for indoor use only)

Temperature range of process fluid

-20 to 90°C (no freezing)

Pressure range of process fluid2.0 MPa max. (20 kgf/cm² max.)**Measurable process fluid**Water, hot water
(no corrosive fluid, no abrasive fluid)**Measurable electrical conductivity**

50 to 50,000 μS/cm

Measurement flow range

Size (mm)	Minimum range (m ³ /h)	Maximum range (m ³ /h)
15	0 to 0.637	0 to 3.18
25	0 to 1.768	0 to 8.835
40	0 to 4.524	0 to 22.619
50	0 to 7.069	0 to 35.342
65	0 to 11.946	0 to 59.729
80	0 to 18.096	0 to 90.477
100	0 to 28.275	0 to 141.371

Size

15, 25, 40, 50, 65, 80, 100 mm

Flange ratingR1/2 internal thread, R1/2 external thread (15 mm)
Wafer style (15 to 100 mm)
JIS10K, JIS20K, ANSI150,
JIS G3443-2 F12 (for size 80 mm or larger)**Reference flange standard**JIS; JIS B2210 (1984)
ANSI; ANSI B16.5 (1988)**Vibration effect**Integral style: 4.9m/s²(0.5G) max.**Ambient temperature limits**

0 to 50°C

Ambient humidity limits

5 to 85%RH (no condensation)

PERFORMANCE SPECIFICATIONS**Accuracy**

± 1% of rate (flow velocity: 0.5 to 5 m/s)

± 0.05 m/s (flow velocity: 0.1 to 0.5 m/s)

Accuracy is guaranteed by the totalized flow volume under the condition of continuous flow measurement for 30 seconds or longer.

Magnetic field effect

± 0.2% F.S. (400A/m)

PHYSICAL SPECIFICATIONS**Main body materials****Case material**

SUS304 stainless steel

Measuring pipe material

SUS304 stainless steel

Process wetted materials**Lining**PFA (for size 15 mm)
Polypropylene (for size 25 to 100 mm)**Electrode**

SUS316L stainless steel

Grounding ring

SUS304 stainless steel

INSTALLATION**Pipe connection**

Wafer style

Grounding

Grounding resistance should be less than 100 Ω

Length of straight pipe**Upstream side**A minimum of five straight pipe diameters
A minimum of 10 straight pipe diameters is required if diffuser/valve/pump installed on the upstream side.**Downstream side**

Two straight pipe diameters are recommended.

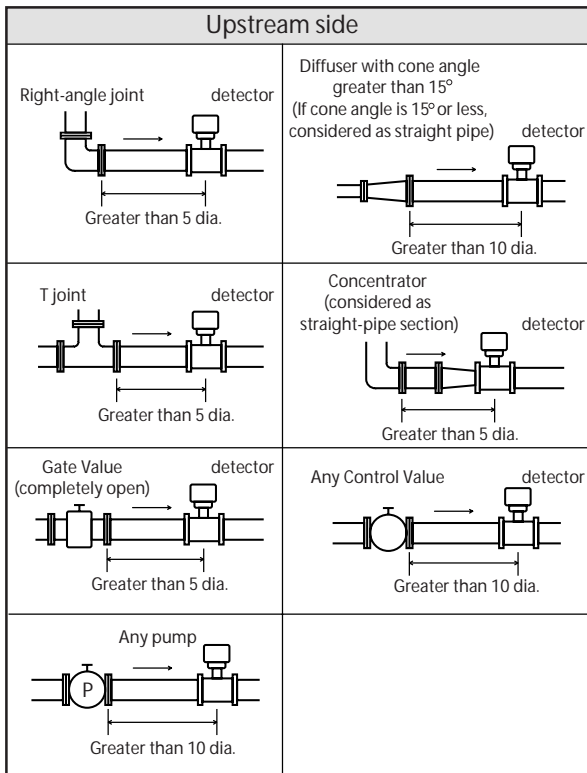


Figure 1

Mounting

Integral style (installed on the piping)

Optional specifications

Bolts and nuts

Carbon steel

Carbon steel bolts and nuts for installing the detector on the piping are provided.

SUS304 stainless steel

SUS304 stainless steel bolts and nuts for installing the detector on the piping are provided.

Notice for installation

To fully enjoy the performance of the device, please choose an appropriate location according to the following.

Notice after installation

WARNING

When removing the device from the piping, make sure that there is no line pressure or process fluid inside of the device. Removing the device before depressurizing may result in serious injury.

CAUTION

Do not use the device as a foothold. It may cause injury or damage of the device.

Notice for environment

- Install the flowmeter in a location with an ambient temperature of -25°C to 60°C (-13°F to 140°F) and an ambient humidity of 5 to 100%RH to prevent equipment malfunction or output errors.
- Do not install the flowmeter near high-current power lines, motors or transformers to prevent damage from electromagnetic induction, which can cause equipment malfunction or output errors.
- Do not install the flowmeter in a location subject to severe vibration or in a highly corrosive

atmosphere. The converter and detector can be damaged.

- When install some electromagnetic flowmeters in closer location, keep minimum 500mm (20 inch) space from each flowmeter. Closer electromagnetic flowmeter installation may cause magnetic interference each other and results in output errors.

Notice for application

- Electrochemically homogeneous fluid
- Install the device where the process fluid is electrochemically homogeneous. If two kind of process fluids are mixed at the upstream side, the process fluid must be uniformly mixed.
- The application which the electric conductivity changes or non-homogeneous fluid
- Do not use the device for the following fluid conditions even if the electric conductivity, temperature, and pressure are within the device specifications. Those fluid may cause of inaccurate flow measurement.
 - Fluids that have sufficient conductivity at high temperature but do not meet the conductivity requirement at room temperature (about 20°C (68°F)).
(e.g. fatty acids and soap)
 - Some fluids contain surfactant
(e.g. rinse, shampoo and CWM (coal water mixture))
 - Insulating adhesive materials
(eg. kaolinite, kaolin, calcium stearate)

MODEL SELECTION

WaterMAG Electromagnetic flowmeter

Basic model no.

MCB10A

Selection

Option

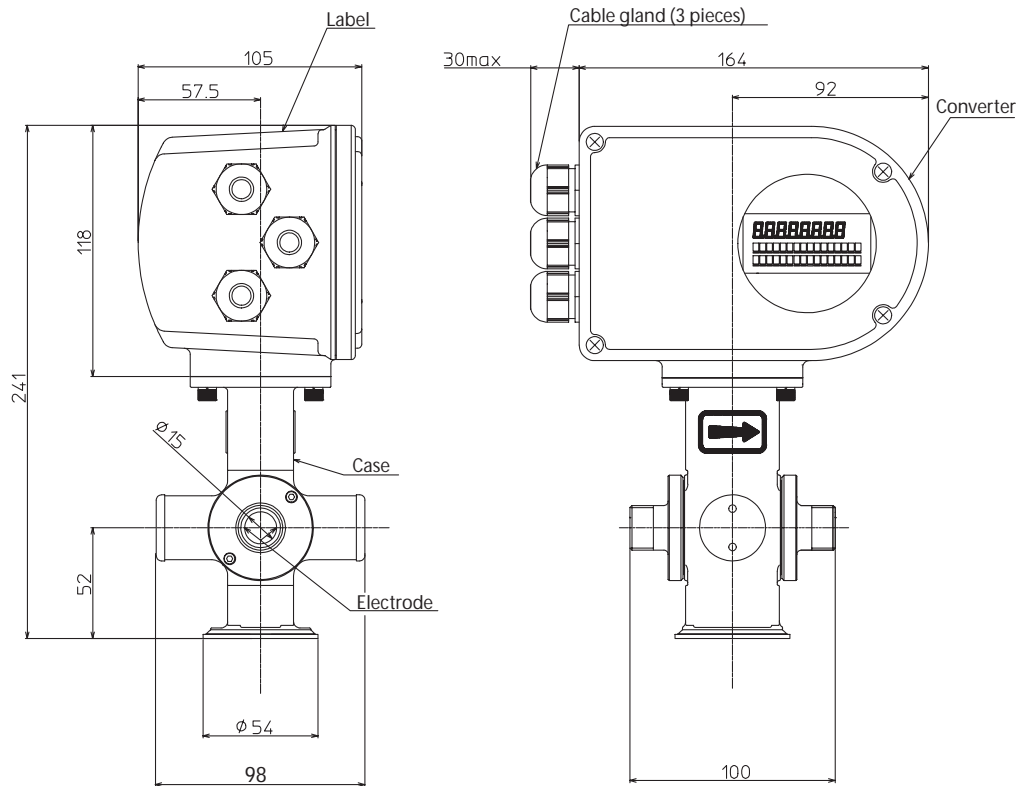
Size	15 mm	015					
	25 mm	025					
	40 mm	040					
	50 mm	050					
	65 mm	065					
	80 mm	080					
	100 mm	100					
Style code	Global model		GLB				
Power supply	100V AC		A				
	24V DC		G				
Centering jig (customer's piping)	Wafer JIS10K						
	Wafer JIS20K						
	Wafer ANSI150						
	Wafer JIS G3443-2 F12 (for 80 mm or larger size)						
	Union R1/2 external thread (for 15 mm size only)						
	Union R1/2 internal thread (for 15 mm size only)						
Bolts and nuts	None						X
	Carbon steel bolts and nuts						1
	SUS304 stainless steel bolts and nuts						2
Options	None						X
	Setting customer's required range						K
	Traceability certificate						B

DIMENSIONS

Union style: 15 mm

Weight: 2.3 kg

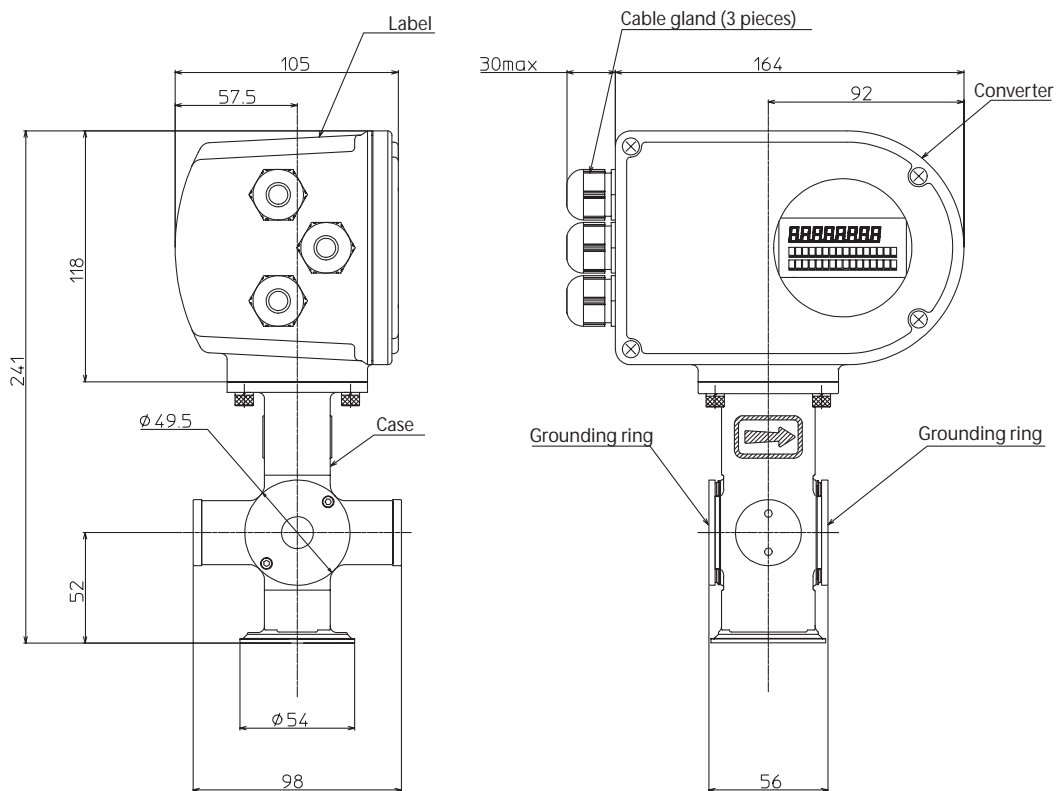
[Unit: mm]



Wafer style: 15 mm

Weight: 2.1 kg

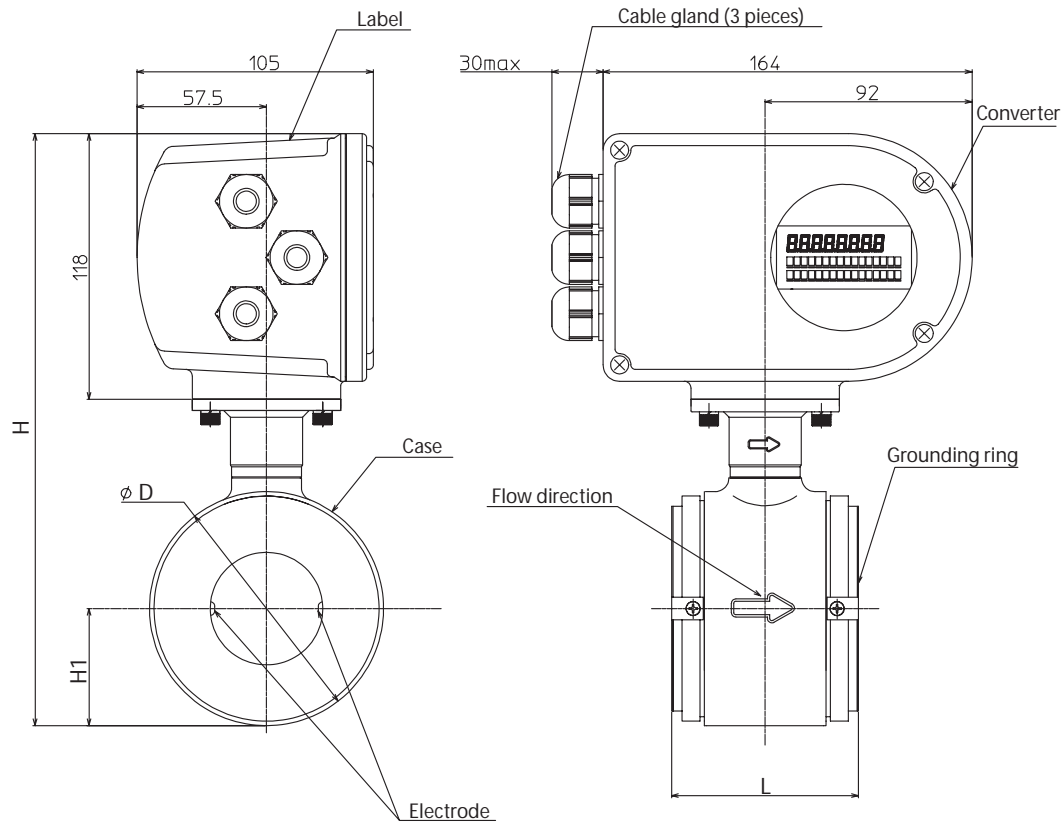
[Unit: mm]



Wafer style: 25 to 100 mm

Nominal size (mm)		25	40	50	65	80	100
Face to face dimension (mm)	L	56	77	83	93	103	117
Height (mm)	H	229	245	263	280	293	318
	H1	34	43.5	52	62	67	79.5
Case outer diameter (mm)	D	68	87	104	124	134	159
Weight (kg)		1.9	2.3	2.9	3.3	4.2	5.3

[Unit: mm]



Specifications are subject to change without notice.

azbil

Yamatake Corporation
Advanced Automation Company

1-12-2 Kawana, Fujisawa-shi
 Kanagawa-ken 251-8522 Japan

URL: <http://www.azbil.com>

No part of this publication may be reproduced or duplicated without the prior written permission of Yamatake Corporation.

July 2004-Y/Y
 May 2009 (rev.1)-Y/Y