

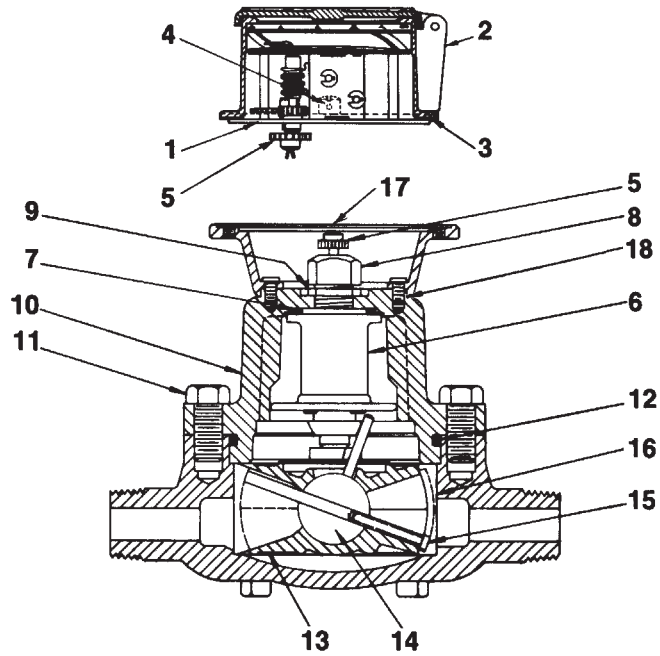
P-171  
Rev. C  
High Pressure Meter Parts List

**Sold & Serviced By:**  
Don Johns, Inc.  
701 N. Raddant Rd.  
Batavia, IL 60510  
(630) 454-4700  
www.donjohns.com

**RED SEAL  
MEASUREMENT**

## High Pressure Flowmeter Parts List





## HIGH PRESSURE FLOWMETERS

Index	Part	5/8x1" Type S 5000 psi
1	Register Complete	80605-00X <sup>1</sup>
2	Register Box Complete	1668-001
3	Gasket, Register Box Seat	335-002
4	Screw, Register Box	9287-016
5	Change Gear	69400-999 <sup>2</sup>
6	Gear Train Complete — 64 R	100168-002
	— 116.8 R	100168-006
7	Lead Gasket, Gear Train	4859-002
8	Nut, Stuffing Box	6217-000
9	Clamp Nut, Gear Train	34-004
10	Main Casing, Upper Half Assy.	100165-001
11	Cap Screw, Main Case	100071-079
12	O-Ring, Main Case	100139-012
13	Disc Chamber Complete	285-129
14	Disc Assembly w/Fiber Disc and half-balls	318-042
15	Thrust Roller	81-019
16	Insert, Thrust Roller Channel Insert-Plastic	100288-001
17	Meter Cover #7 Spindle (screw on)	138-030
18	Screw 1/32" x 3/8" Long Fil HD	733-001

1 Specify Units of Registration and Increments I.E. 10 US Gallons, 100 Pounds, etc.

2 Specify Diameter and Number of Teeth. (See form # TSG-310)

### Sold & Serviced By:

Don Johns, Inc.  
701 N. Raddant Rd.  
Batavia, IL 60510  
(630) 454-4700  
www.donjohns.com

**RED SEAL**  
**MEASUREMENT**