

SPECIFICATION DATA



BASIC SELF-PRIMING CENTRIFUGAL PUMP



Model: T4A60S-B

Various Patents Apply

**Pump Specifications**

Size	4" x 4" (101 mm x 101 mm) NPT - Female
Impeller Type	Semi-Open, Two Vane
Solids-Handling Capability	3" (76,2 mm) Spherical Diameter
Seal Type	Cartridge Type, Mechanical, Oil-Lubricated, Double Floating, Self-Aligning
Radial Bearing	Open Single Row Ball
Thrust Bearing	Open Double Row Ball
Bearing and Seal Cavity Lubrication	SAE 30 Non-Detergent Oil
Maximum Operating Pressure	86 psi (593 kPa)*
Max Temp of Liquid Pumped	160°F (71°C).*

**Pump Materials**

Casing	Gray Iron 30
Impeller	Ductile Iron 65-45-12
Impeller Shaft	Alloy Steel 4150
Shaft Sleeve	Alloy Steel 4130
Seal: Stationary Face	Silicon Carbide
Rotating Face	Silicon Carbide
Elastomer	Fluorocarbon FKM, (Viton® or Equivalent)
Replaceable Wear Plate:	Carbon Steel ASTM A36
Removable Adjustable Cover Plate	Gray Iron 30
Removable Inspection Cover Plate	Gray Iron 30 – 12 lbs. (5,4 kg.)
Flap Valve	Neoprene with Nylon and Steel Reinforcing
Seal Plate	Gray Iron 30
Bearing Housing	Gray Iron 30
Flanges	Gray Iron 30
Gaskets	Buna-N, with Compressed Synthetic Fiber, Vegetable Fiber, PTFE, Cork and Rubber
O-Rings	Buna-N
Hardware	Standard Plated Steel

\*Consult Factory for Applications Exceeding Maximum Pressure and/or Temperature Indicated.

**Standard Equipment:** Brass Pressure Relief Valve, Bearing and Seal Cavity Oil Level Sight Gauges.

**Optional Equipment:** Automatic Air Release Valve, Metal Bellows Seal, 120V/240V Casing Heater, High Pump Temperature Shutdown Kit, Drain Kit, Gauge Kit. Suction and Discharge Spool Flanges:

- 4" ASA (Specify Model T4A60S-B /F)
- 100 mm DIN 2527 – PN 16 (Specify Model T4A60S-B /FM).



Shown with Optional Suction and Discharge Spool Flanges (Available in ASA or DIN Standard Sizes).

**Super T Series Features and Benefits**

**Easy To Service And Maintain** - Pump Is Mounted Above Liquid Being Pumped With Only The Suction Line Down In Liquid.

**Dual Bearing Protection** – An Atmospheric Barrier Along With Two Lip Seals Provide Additional Protection Of The Pump Bearings (Not Available On 2" Models).

**Inspection Cover** – Patented, Lightweight Inspection Cover For Easy Access To The Impeller Without Removing The Entire Backcover plate Or Piping. (2" – 8" Models)

**5 Year Super T Series Warranty**

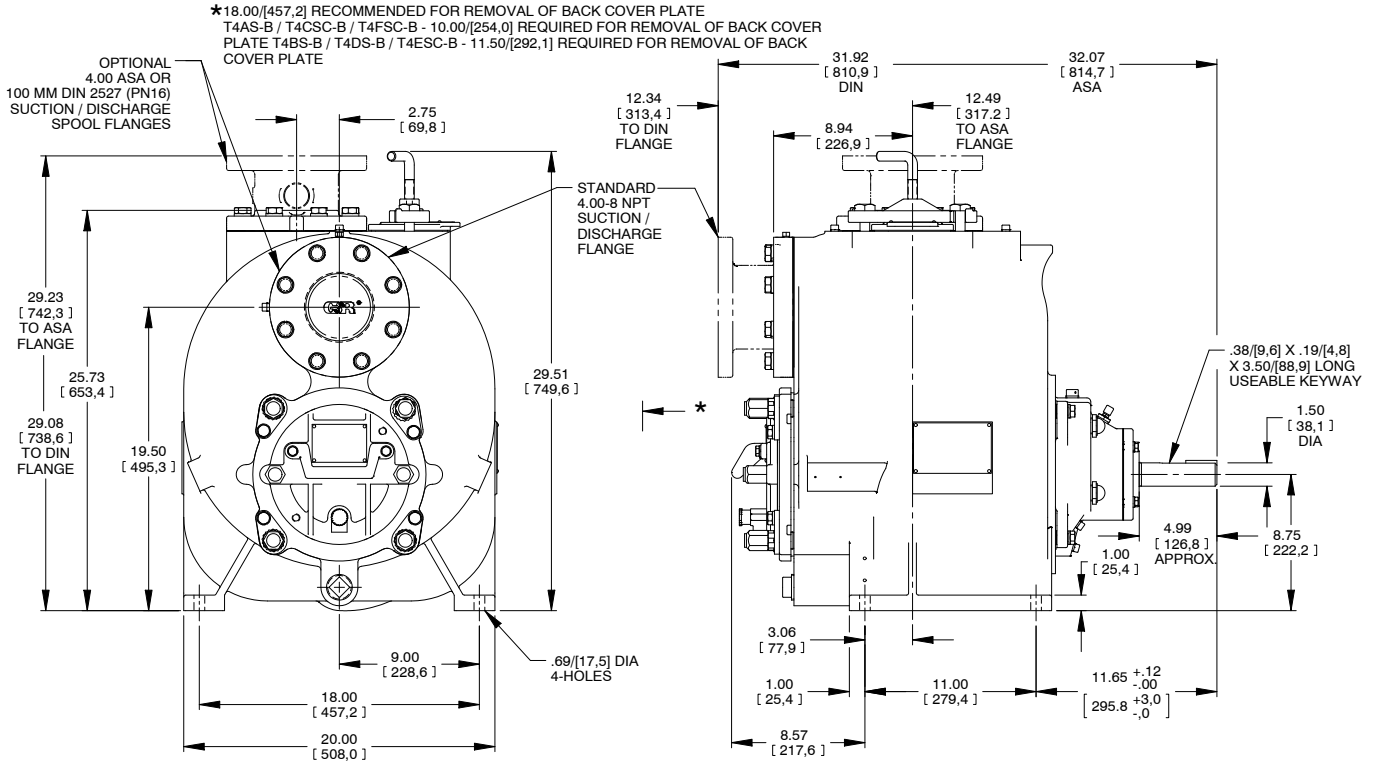
**Up To 3" Diameter Spherical Solids Handling** (4" – 10" Models).

**Removable Rotating Assembly** – The Entire Rotating Assembly Can Be Removed Without Disturbing The Pump Volute Or Piping Allowing The Rotating Assembly To Be Easily Repaired Or Quickly Replaced With A New Ready To Drop In Assembly.

### APPROXIMATE DIMENSIONS AND WEIGHTS

<b>NET WEIGHT</b>	607 LBS. (275 KG.)*
<b>SHIPPING WEIGHT</b>	632 LBS. (286 KG.)*
<b>EXPORT CRATE</b>	22.7 CU. FT. (0,64 CU. M.)

\*Add 15 LBS. (6,8 KG.) w/each spool flange



NOTE: OPTIONAL ASA OR DIN STANDARD SUCTION & DISCHARGE SPOOL FLANGES AVAILABLE

