

SPECIFICATION DATA



Super  
**T SERIES**

BASIC SELF-PRIMING CENTRIFUGAL PUMP



**Model: T6A60S-B**

Various Patents Apply

**PUMP SPECIFICATIONS**

<b>Size</b>	6" x 6" (152 mm x 152 mm) NPT - Female
<b>Impeller Type</b>	Semi-Open, Two Vane
<b>Solids-Handling Capability</b>	3" (76,2 mm) Spherical Diameter
<b>Seal Type</b>	Cartridge Type, Mechanical, Oil-Lubricated, Double Floating, Self-Aligning
<b>Radial Bearing</b>	Open Single Row Ball
<b>Thrust Bearing</b>	Open Double Row Ball
<b>Bearing and Seal Cavity Lubrication</b>	SAE 30 Non-Detergent Oil
<b>Maximum Operating Pressure</b>	79 psi (545 kPa)*
<b>Max Temp of Liquid Pumped</b>	160°F (71°C).*

**PUMP MATERIALS**

<b>Casing</b>	Gray Iron 30
<b>Impeller</b>	Ductile Iron 65-45-12
<b>Impeller Shaft</b>	Alloy Steel 4150
<b>Shaft Sleeve</b>	Alloy Steel 4130
<b>Seal: Stationary Face</b>	Silicon Carbide
<b>Rotating Face</b>	Silicon Carbide
<b>Elastomer</b>	Fluorocarbon FKM, (Viton® or Equivalent)
<b>Replaceable Wear Plate:</b>	Carbon Steel ASTM A36
<b>Removable Adjustable Cover Plate</b>	Gray Iron 30
<b>Removable Inspection Cover Plate</b>	Gray Iron 30 – 20 lbs. (9,1 kg.)
<b>Flap Valve</b>	Neoprene with Nylon and Steel Reinforcing
<b>Seal Plate</b>	Gray Iron 30
<b>Bearing Housing</b>	Gray Iron 30
<b>Flanges</b>	Gray Iron 30
<b>Gaskets</b>	Buna-N, with Compressed Synthetic Fiber, Vegetable Fiber, PTFE, Cork and Rubber
<b>O-Rings</b>	Buna-N
<b>Hardware</b>	Standard Plated Steel

\*Consult Factory for Applications Exceeding Maximum Pressure and/or Temperature Indicated.

**Standard Equipment:** Brass Pressure Relief Valve, Bearing and Seal Cavity Oil Level Sight Gauges.

**Optional Equipment:** Automatic Air Release Valve, Metal Bellows Seal, 120V/240V Casing Heater, High Pump Temperature Shutdown Kit, Drain Kit, Gauge Kit. Suction and Discharge Spool Flanges:

- 6" ASA (Specify Model T6A60S-B /F)
- 150 mm DIN 2527 – PN 16 (Specify Model T6A60S-B /FM).



Shown with Optional Suction and Discharge Spool Flanges (Available in ASA or DIN Standard Sizes).

**Super T Series Features and Benefits**

**Easy To Service And Maintain** - Pump Is Mounted Above Liquid Being Pumped With Only The Suction Line Down In Liquid.

**Dual Bearing Protection** – An Atmospheric Barrier Along With Two Lip Seals Provide Additional Protection Of The Pump Bearings (Not Available On 2" Models).

**Inspection Cover** – Patented, Lightweight Inspection Cover For Easy Access To The Impeller Without Removing The Entire Backcover plate Or Piping. (2" – 8" Models)

**5 Year Super T Series Warranty**

**Up To 3" Diameter Spherical Solids Handling** (4" – 10" Models).

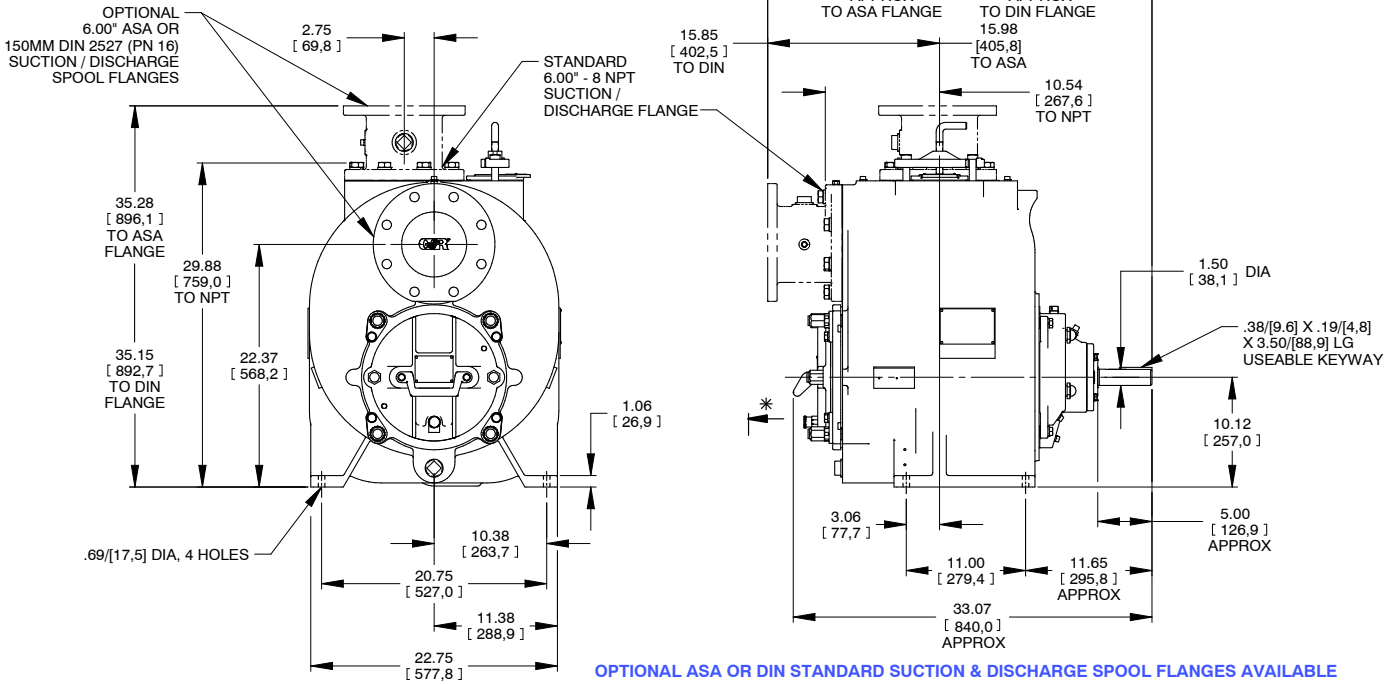
**Removable Rotating Assembly** – The Entire Rotating Assembly Can Be Removed Without Disturbing The Pump Volute Or Piping Allowing The Rotating Assembly To Be Easily Repaired Or Quickly Replaced With A New Ready To Drop In Assembly.

### APPROXIMATE DIMENSIONS AND WEIGHTS

<b>NET WEIGHT</b>	880 LBS. (399 KG.)*
<b>SHIPPING WEIGHT</b>	970 LBS. (440 KG.)*
<b>EXPORT CRATE</b>	32.5 CU. FT. (0,92 CU. M.)

\*Add 25 LBS. (11,3 KG.) w/each spool flange

★18.00/[457,2] RECOMMENDED FOR REMOVAL OF BACK COVER PLATE  
 T6AS-B / T6CSC-B - 11.00/[279,4] REQUIRED FOR REMOVAL OF BACK COVER PLATE  
 T6BS-B / T6DS-B / T6ESC-B / T6FSC-B - 12.00/[304,8] REQUIRED FOR REMOVAL OF BACK COVER PLATE



OPTIONAL ASA OR DIN STANDARD SUCTION & DISCHARGE SPOOL FLANGES AVAILABLE

